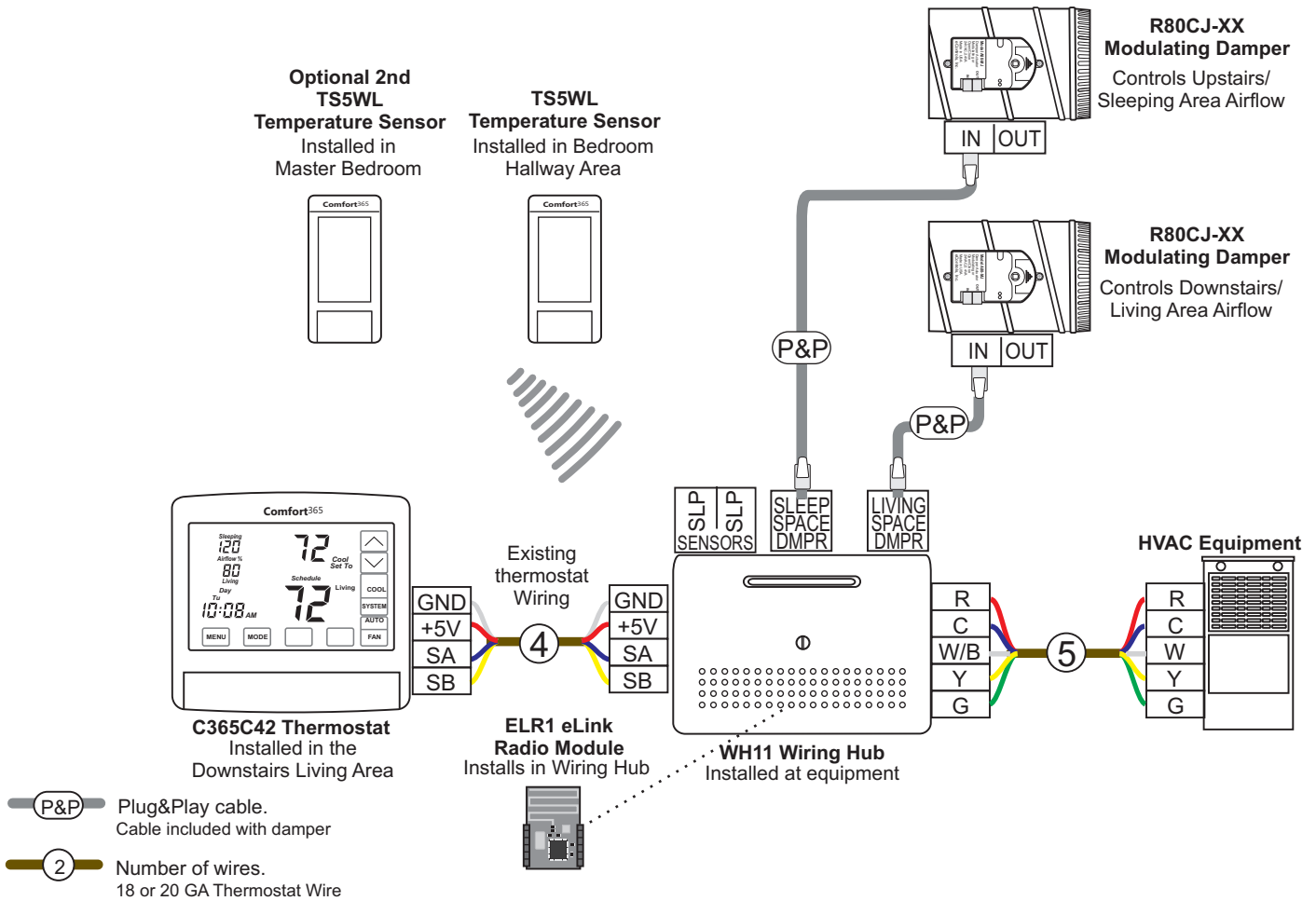


HVAC Equipment	Wiring Hub Solution	Wired Solution	Airflow Control	Fresh Air Control	ERV/HRV Control	Whole House Fan Control	Economizer Control	Humidity Control	WiFi Option
GE 1H/1C	●		●						



Single Sensor Installation

Model #	Description	Quantity
C365C42	Comfort365 Communicating Thermostat	1
WH11	Wiring Hub	1
TS5WL	Temperature Sensor. Single sensor installation.	1
ELR1	eLink Plug In Radio Module	1
R80CJ-	Damper with Plug&Play Actuator. -inch Diameter.	1
R80CJ-	Damper with Plug&Play Actuator. -inch Diameter.	1

Dual Sensor Installation

Model #	Description	Quantity
C365C42	Comfort365 Communicating Thermostat	1
WH11	Wiring Hub	1
TS5WL	Temperature Sensor. Dual sensor installation.	2
ELR1	eLink Plug In Radio Module	1
R80CJ-	Damper with Plug&Play Actuator. -inch Diameter.	1
R80CJ-	Damper with Plug&Play Actuator. -inch Diameter.	1

Project Information

Date:	Job Name:	PO #:
Location:	Architect:	
Engineer:	Contractor:	
Buyer:	Notes:	