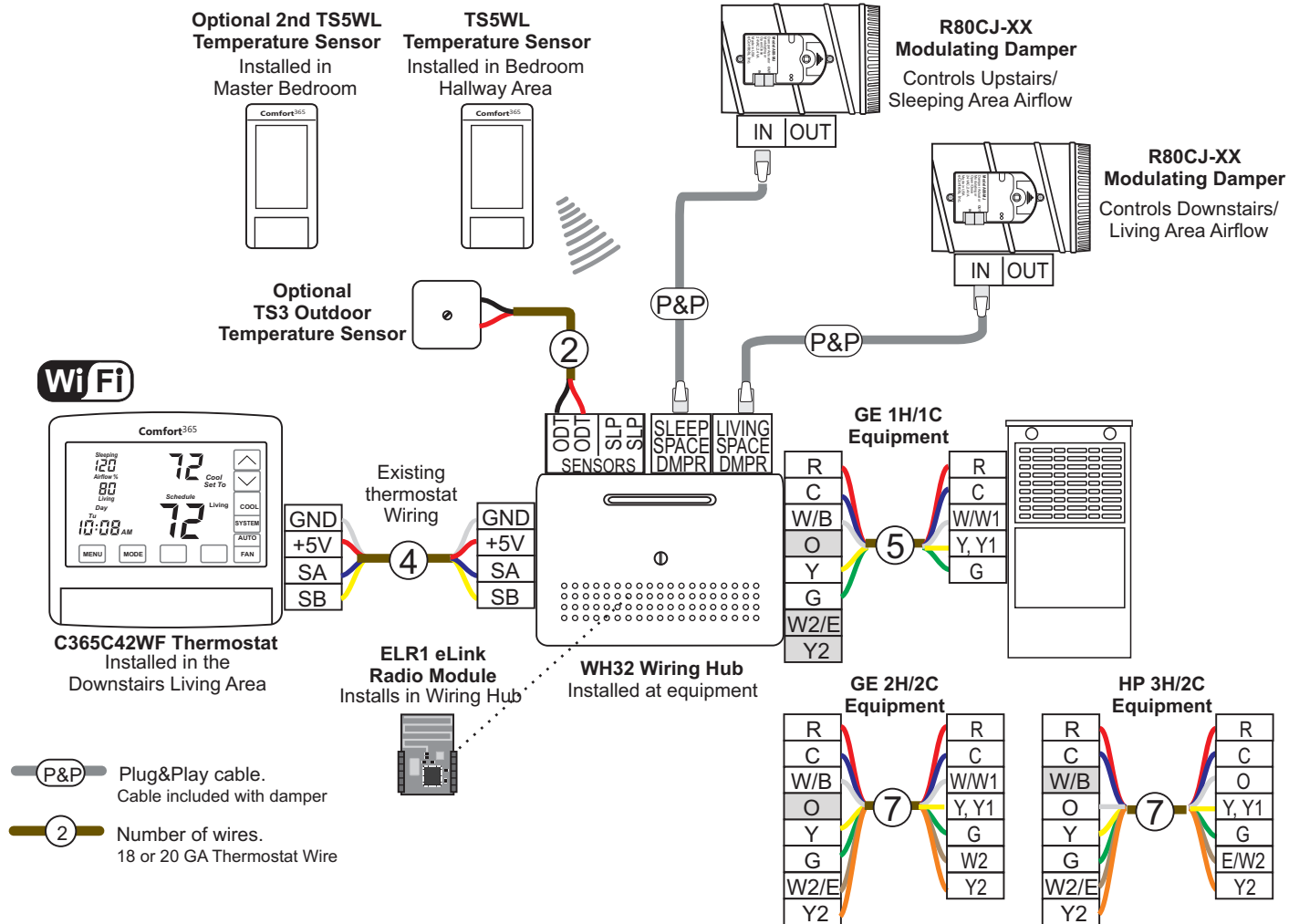


HVAC Equipment	Wiring Hub Solution	Wired Solution	Airflow Control	Fresh Air Control	ERV/HRV Control	Whole House Fan Control	Economizer Control	Humidity Control	WiFi Option
GE, HP or DFHP 3H/2C	●		●						WiFi



Single Sensor Installation

Model #	Description	Quantity
C365C42WF	Comfort365 Communicating Thermostat. WiFi Enabled.	1
WH32	Wiring Hub	1
TS5WL	Temperature Sensor, Wireless. Single sensor installation.	1
ELR1	eLink Plug In Radio Module	1
R80CJ-	Damper with Plug&Play Actuator. -inch Diameter.	1
R80CJ-	Damper with Plug&Play Actuator. -inch Diameter.	1
TS3	Required for DFHP.	

Dual Sensor Installation

Model #	Description	Quantity
C365C42WF	Comfort365 Communicating Thermostat. WiFi Enabled.	1
WH32	Wiring Hub	1
TS5WL	Temperature Sensor. Dual sensor installation.	2
ELR1	eLink Plug In Radio Module	1
R80CJ-	Damper with Plug&Play Actuator. -inch Diameter.	1
R80CJ-	Damper with Plug&Play Actuator. -inch Diameter.	1
TS3	Required for DFHP.	

Project Information

Date:	Job Name:	PO #:
Location:	Architect:	
Engineer:	Contractor:	
Buyer:	Notes:	