

Comfort³⁶⁵

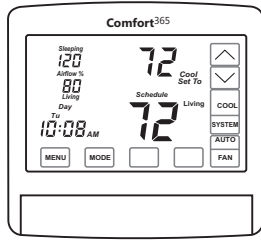
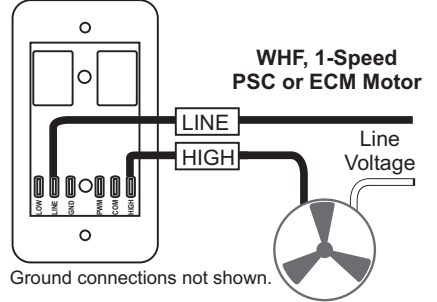
AOR, Airflow and Whole House Fan Control-Single Speed, WiFi, C365C42WF and WH42 (GE, HP or DFHP, 3H/2C)

HVAC Equipment	Wiring Hub Solution	Wired Solution	Airflow Control	Fresh Air Control	ERV/HRV Control	Whole House Fan Control	Economizer Control	Humidity Control	WiFi Option
GE, HP or DFHP 3H/2C	●		●			●			WiFi

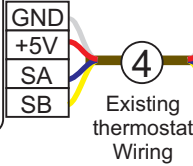
For Wiring Airflow Control Components, See Submittal / Wiring Document - AOR, Airflow Control, WiFi C365C42WF and WH42

FC2J Relay Board

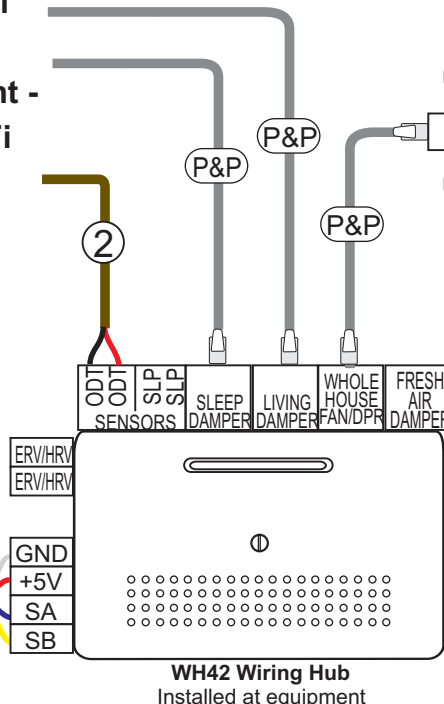
Installed in box on the WHF



C365C42WF Thermostat
Installed in the Downstairs Living Area

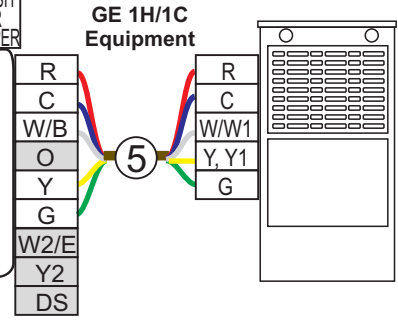


Existing thermostat Wiring

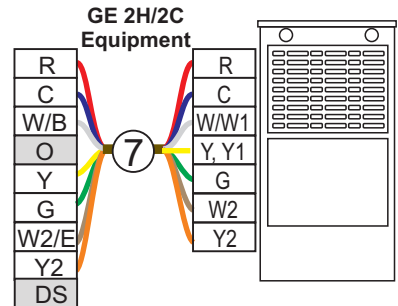


WH42 Wiring Hub
Installed at equipment

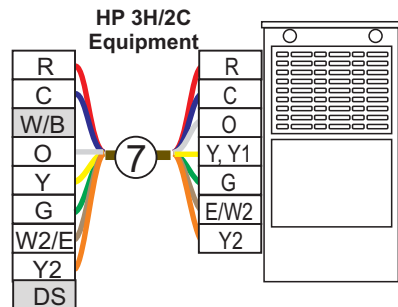
GE 1H/1C Equipment



GE 2H/2C Equipment



HP 3H/2C Equipment



- Plug&Play cable. Cable included with damper
- Number of wires. 18 or 20 GA Thermostat Wire

Installation

Model #	Description	Quantity
C365C42WF	Comfort365 Communicating Thermostat. WiFi Enabled.	1
WH42	Wiring Hub	1
For Airflow Control Dampers and Sensors, See Submittal / Wiring Document - AOR, Airflow Control, WiFi C365C42WF and WH42		
FC2J	Relay Board, Plug&Play Connection.	1
TS3	Required for DFHP.	

Project Information

Date:	Job Name:	PO #:
Location:	Architect:	
Engineer:	Contractor:	
Buyer:	Notes:	