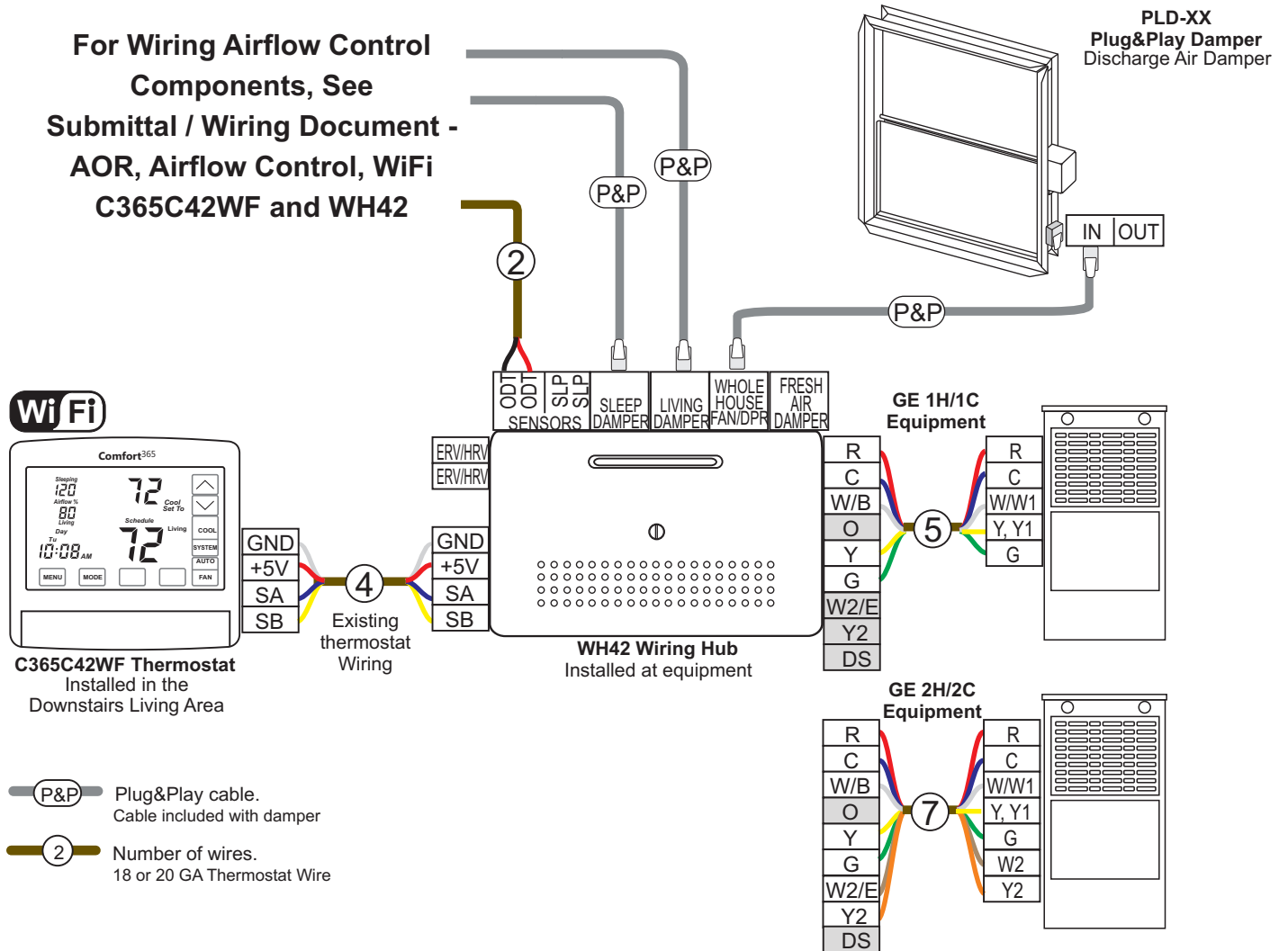


Comfort³⁶⁵

AOR, Airflow and Economizer Control, Rectangular Plenum Damper, WiFi C365C42WF and WH42 (GE, HP or DFHP, 3H/2C)

HVAC Equipment	Wiring Hub Solution	Wired Solution	Airflow Control	Fresh Air Control	ERV/HRV Control	Whole House Fan Control	Economizer Control	Humidity Control	WiFi Option
GE, HP or DFHP 3H/2C	●		●				●		WiFi

For Wiring Airflow Control Components, See Submittal / Wiring Document - AOR, Airflow Control, WiFi C365C42WF and WH42



Installation

Model #	Description	Quantity
C365C42WF	Comfort365 Communicating Thermostat. WiFi Enabled.	1
WH42	Wiring Hub	1
For Airflow Control Dampers and Sensors, See Submittal / Wiring Document - AOR, Airflow Control, WiFi C365C42WF and WH42		
PLD-	Rectangular Plenum Damper with Plug&Play Connection. ____x	1
TS3	Required for DFHP.	

Project Information

Date:	Job Name:	PO #:
Location:	Architect:	
Engineer:	Contractor:	
Buyer:	Notes:	