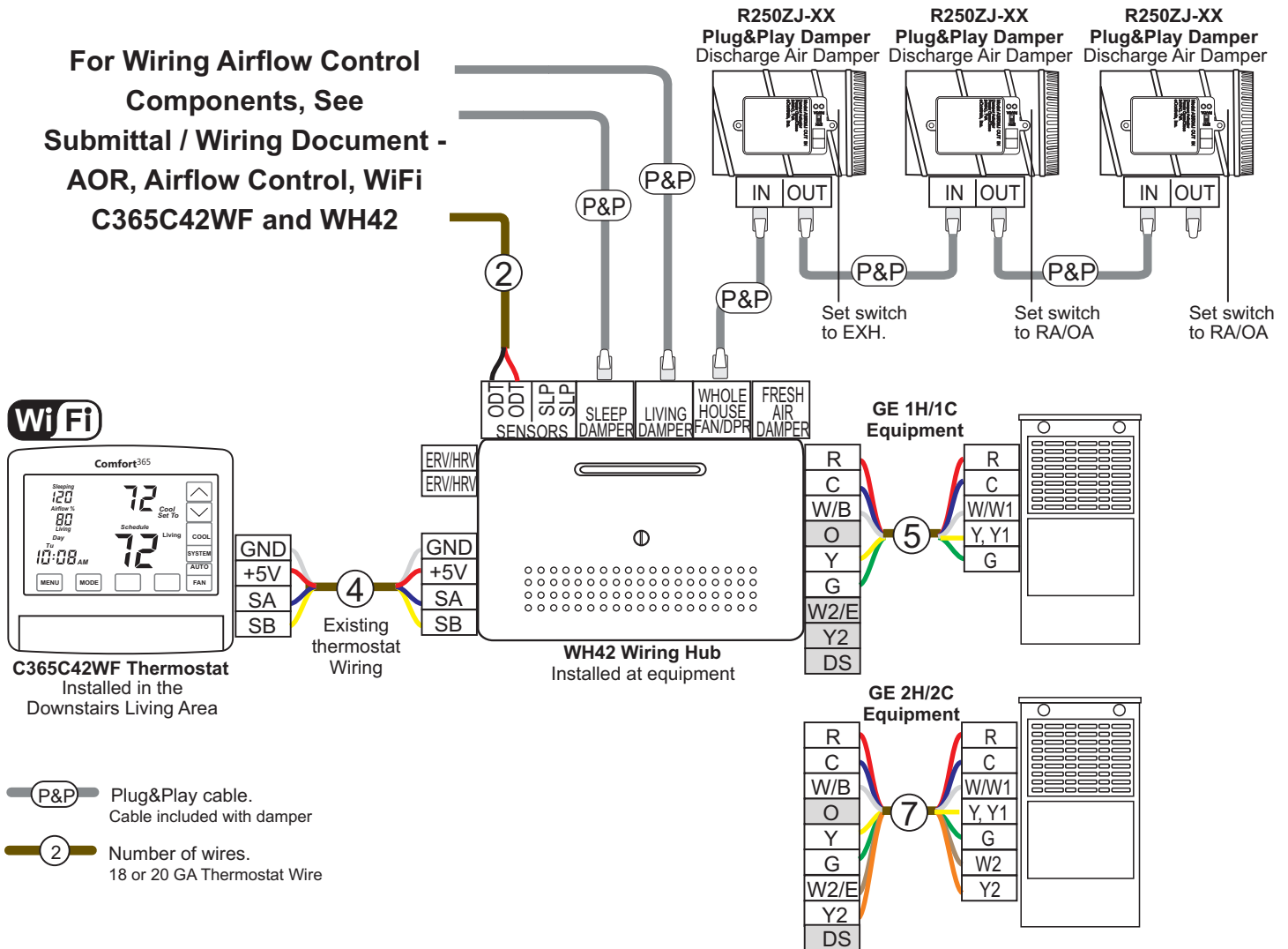


HVAC Equipment	Wiring Hub Solution	Wired Solution	Airflow Control	Fresh Air Control	ERV/HRV Control	Whole House Fan Control	Economizer Control	Humidity Control	WiFi Option
GE, HP or DFHP 3H/2C	●		●				●		WiFi

**For Wiring Airflow Control Components, See Submittal / Wiring Document - AOR, Airflow Control, WiFi C365C42WF and WH42**



### Installation

Model #	Description	Quantity
C365C42WF	Comfort365 Communicating Thermostat. WiFi Enabled.	1
WH42	Wiring Hub	1
For Airflow Control Dampers and Sensors, See Submittal / Wiring Document - AOR, Airflow Control, WiFi C365C42WF and WH42		
R250ZJ-	Round Plenum Damper with Plug & Play Connection. ____ inch Diameter	3
TS3	Required for DFHP.	

### Project Information

Date:	Job Name:	PO #:
Location:	Architect:	
Engineer:	Contractor:	
Buyer:	Notes:	