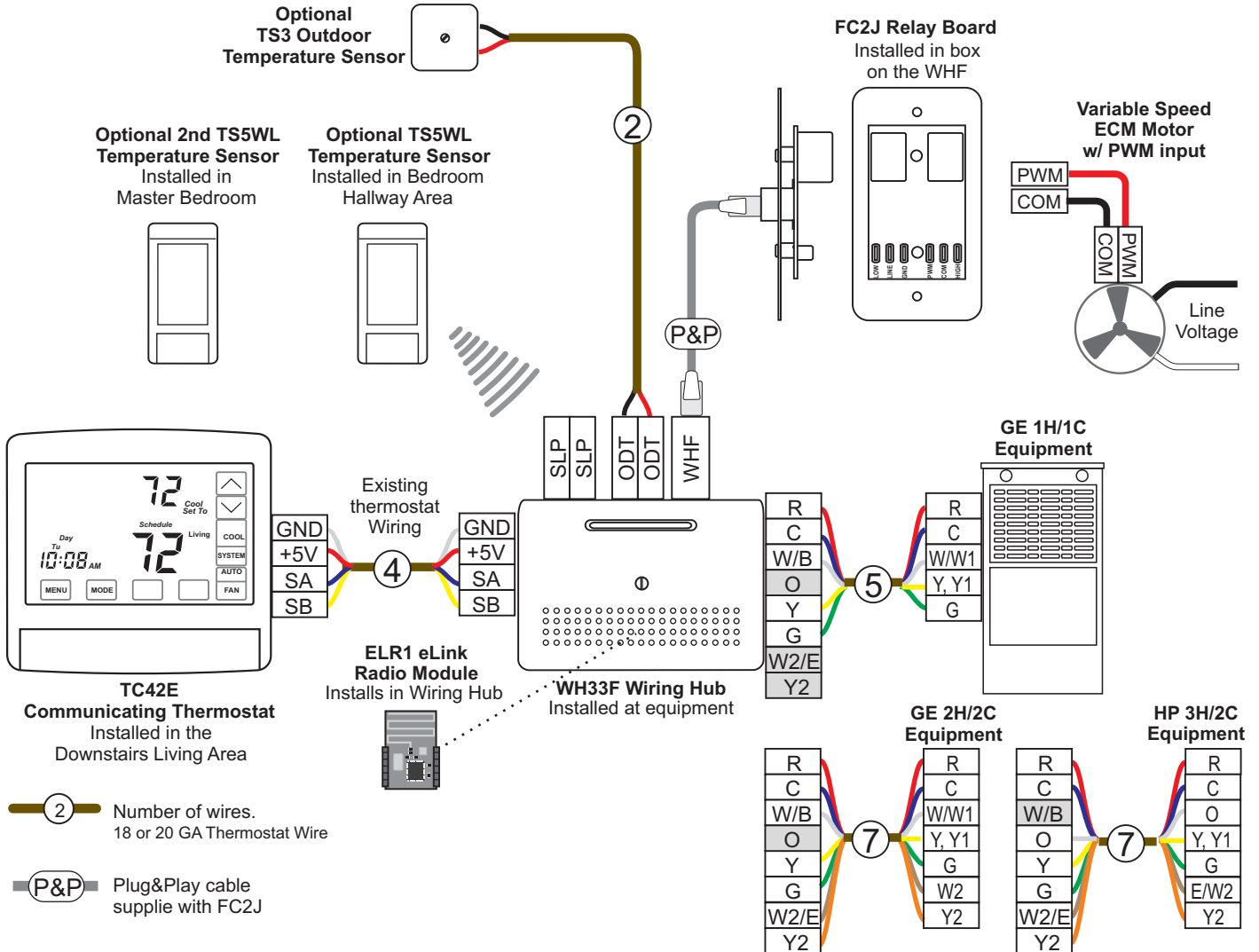


Integrated Control

AOR, Whole House Fan Control, Variable Speed w/ ECM Motor w/ PWM input, TC42E and WH33F (GE, HP or DFHP 3H/2C)

HVAC Equipment	Wiring Hub Solution	Wireless Solution	Airflow Control	Fresh Air Control	ERV/HRV Control	Whole House Fan Control	Economizer Control	Humidity Control	WiFi Option
GE, HP or DFHP 3H/2C	●	●				●			



Installation Using Optional Single Sensor

Model #	Description	Quantity
TC42E	Communicating Thermostat with WHF Control.	1
WH33F	Wiring Hub with WHF Control.	1
FC2J	Relay Board, Plug&Play Connection.	1
TS3	Optional Outdoor Temp Sensor. Required for DFHP Equipment.	1
TS5WL	Optional Wireless Temp Sensor for Sleeping Area. Single sensor install.	1
ELR1	Plug In Radio Module. Required when using wireless sensors.	1

Installation Using Optional Dual Sensors

Model #	Description	Quantity
TC42E	Communicating Thermostat with WHF Control.	1
WH33F	Wiring Hub with WHF Control.	1
FC2J	Relay Board. Plug&Play Connection.	1
TS3	Optional Outdoor Temp Sensor. Required for DFHP Equipment.	1
TS5WL	Optional Wireless Temp Sensors for Sleeping Area. Dual sensor install.	2
ELR1	Plug In Radio Module. Required when using wireless sensors.	1

Project Information

Date:	Job Name:	PO #:
Location:	Architect:	
Engineer:	Contractor:	
Buyer:	Notes:	