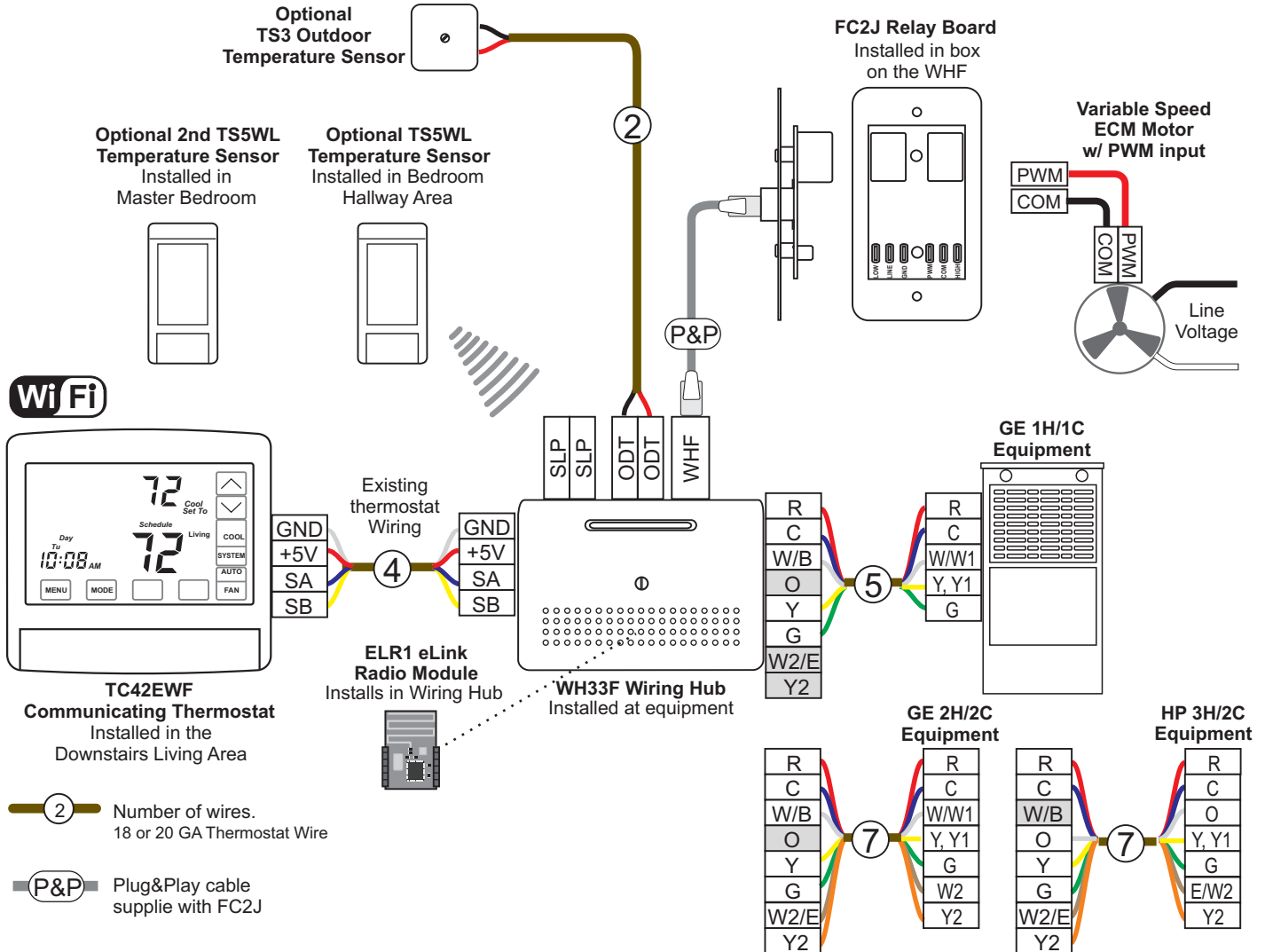


Integrated Control

AOR, Whole House Fan Control, Variable Speed w/ ECM Motor w/ PWM input, WiFi, TC42EWF and WH33F (GE, HP or DFHP 3H/2C)

| HVAC Equipment | Wiring Hub Solution | Wireless Solution | Airflow Control | Fresh Air Control | ERV/HRV Control | Whole House Fan Control | Economizer Control | Humidity Control | WiFi Option |
|----------------------|---------------------|-------------------|-----------------|-------------------|-----------------|-------------------------|--------------------|------------------|-------------|
| GE, HP or DFHP 3H/2C | ● | ● | | | | ● | | | WiFi |



Installation Using Optional Single Sensor

| Model # | Description | Quantity |
|---------|---|----------|
| TC42EWF | Communicating Thermostat with WHF Control. WiFi Enabled. | 1 |
| WH33F | Wiring Hub with WHF Control. | 1 |
| FC2J | Relay Board, Plug&Play Connection. | 1 |
| TS3 | Optional Outdoor Temp Sensor. Required for DFHP Equipment. | 1 |
| TS5WL | Optional Wireless Temp Sensor for Sleeping Area. Single sensor install. | 1 |
| ELR1 | Plug In Radio Module. Required when using wireless sensors. | 1 |

Installation Using Optional Dual Sensors

| Model # | Description | Quantity |
|---------|--|----------|
| TC42EWF | Communicating Thermostat with WHF Control. WiFi Enabled. | 1 |
| WH33F | Wiring Hub with WHF Control. | 1 |
| FC2J | Relay Board. Plug&Play Connection. | 1 |
| TS3 | Optional Outdoor Temp Sensor. Required for DFHP Equipment. | 1 |
| TS5WL | Optional Wireless Temp Sensors for Sleeping Area. Dual sensor install. | 2 |
| ELR1 | Plug In Radio Module. Required when using wireless sensors. | 1 |

Project Information

| | | |
|-----------|-------------|-------|
| Date: | Job Name: | PO #: |
| Location: | Architect: | |
| Engineer: | Contractor: | |
| Buyer: | Notes: | |