

## R250 DAMPER FEATURES

- Heavy Duty Damper.
- Open, close or modulating.
- Uses electronic control of the motor rather than using the PCB and rotating wiper switches that degrade over time.
- 3/8-inch diameter shaft with bronze bushings for quiet and reliable operation.
- Retaining clips on both ends of the shaft prevent shaft from dislodging from the bronze bushings and adds strength.

## R250 DAMPER SPECIFICATIONS

### Output Torque

250 in-oz.

### Input Control

24VAC applied to OPN or CLS terminal.

### Operation Time

Fully opens in approximately 7.5 seconds.

### Damper Shell

24 Gage, galvanized steel.

### Damper Blade

Dual 26 GA, galvanized steel blades with U-groove for added strength with sandwiched, rubber gasket for efficient airflow.

### LED Indicators

Green LED indicates fully open and red LED indicates fully closed.

### Electrical Power

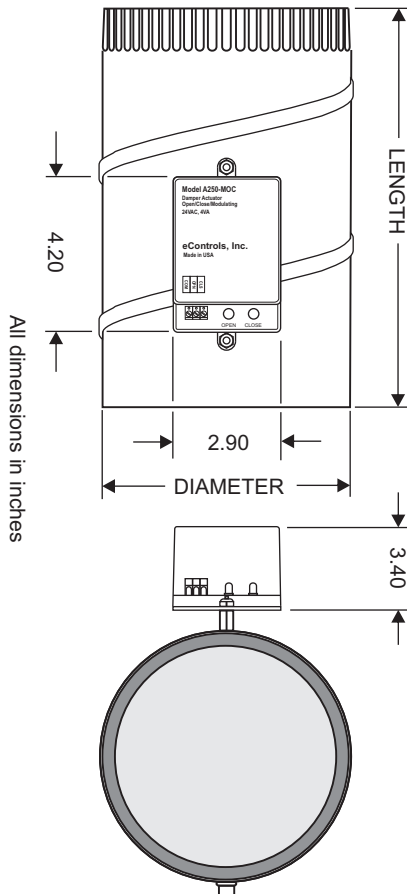
24VAC, 4VA operating .7VA holding.

### Temperature, Operating

-20° to 175° F.

### Maximum Static Pressure

2.0 inch H<sub>2</sub>O.



Diameter	Length	Blade	Shell	CFM at 1000 FPM	CFM at 1500 FPM	CFM at 2000 FPM	CFM at 2500 FPM
6-inch	10-inch	26 Gage	24 Gage	196	295	393	491
7-inch	10-inch	26 Gage	24 Gage	266	401	534	667
8-inch	10-inch	26 Gage	24 Gage	349	524	698	873
9-inch	10-inch	26 Gage	24 Gage	442	663	884	1104
10-inch	12-inch	26 Gage	24 Gage	545	818	1091	1364
12-inch	14-inch	26 Gage	24 Gage	785	1178	1571	1964
14-inch	16-inch	26 Gage	24 Gage	1069	1604	2138	2673
16-inch	18-inch	26 Gage	24 Gage	1396	2094	2793	3491
18-inch	20-inch	26 Gage	24 Gage	1767	2651	3534	4418
20-inch	22-inch	26 Gage	24 Gage	2182	3273	4363	5454
22-inch	24-inch	26 Gage	24 Gage	2640	3960	5280	6600
24-inch	26-inch	26 Gage	24 Gage	3142	4712	6283	7854

## R250ZJ-XX Plug and Play, w/ A250MJ Actuator, Open/Close, Sealed



### Compatible Wiring Hubs

WH42 or WH42H

### Damper Blades

Dual 26GA, galvanized steel blades with U-groove for added strength with sandwiched, rubber gasket for efficient airflow.

### Wiring

Plug and play cable, provided.

### Electrical Power

24VAC, 4VA operating and .7VA holding.

### Economizer Control

Model #	Description
R250ZJ06	6" Round, Open/Close, Plug&Play
R250ZJ07	7" Round, Open/Close, Plug&Play
R250ZJ08	8" Round, Open/Close, Plug&Play
R250ZJ09	9" Round, Open/Close, Plug&Play
R250ZJ10	10" Round, Open/Close, Plug&Play
R250ZJ12	12" Round, Open/Close, Plug&Play
R250ZJ14	14" Round, Open/Close, Plug&Play
R250ZJ16	16" Round, Open/Close, Plug&Play
R250ZJ18	18" Round, Open/Close, Plug&Play
R250ZJ20	20" Round, Open/Close, Plug&Play
R250ZJ22	22" Round, Open/Close, Plug&Play
R250ZJ24	24" Round, Open/Close, Plug&Play

## R250ZT-XX Wired, w/ A250MT Actuator, Open/Close, Sealed



### Compatible Thermostats

T511FC and T511FCWF

### Damper Blades

Dual 26 GA, galvanized steel blades with U-groove for added strength with sandwiched, rubber gasket for efficient airflow.

### Wiring

3-Conductor thermostat wire.

### Electrical Power

24VAC, 4VA operating and .7VA holding.

### Economizer Control

Model #	Description
R250ZT06	6" Round, Open/Close, Wired
R250ZT07	7" Round, Open/Close, Wired
R250ZT08	8" Round, Open/Close, Wired
R250ZT09	9" Round, Open/Close, Wired
R250ZT10	10" Round, Open/Close, Wired
R250ZT12	12" Round, Open/Close, Wired
R250ZT14	14" Round, Open/Close, Wired
R250ZT16	16" Round, Open/Close, Wired
R250ZT18	18" Round, Open/Close, Wired
R250ZT20	20" Round, Open/Close, Wired
R250ZT22	22" Round, Open/Close, Wired
R250ZT24	24" Round, Open/Close, Wired

### 5-Year Warranty

All products have a 5-year warranty, limited to the repair or replacement of the product due to defective material or workmanship.