

Comfort365 Plug&Play, Modulating Damper

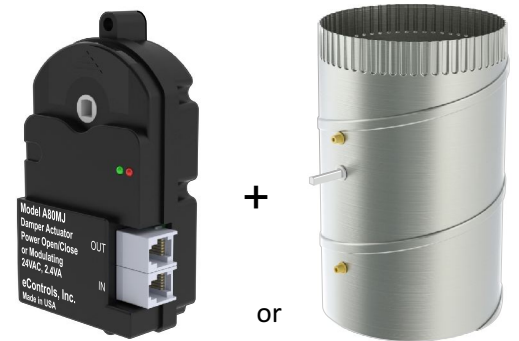
The R80CJ plug and play damper is designed for Comfort365 Wiring Hub installations and is sold as a complete damper or the actuator and damper can be ordered separately. The damper connects to the wiring hub using a 25 foot cable provided with the actuator and operates as a modulating damper.

The actuator has been tested to over 9 million cycles and will provide years of quiet and reliable operation.

- Plug and Play, Modulating
- 80 in-oz of torque.
- LED indicators for fully open.
- 24VAC, 2.4VA operating, 1VA holding.
- Keyed shaft makes attaching actuator to damper error free.
- 5/16-inch diameter, die cast shafts with nylon bushings for quiet and reliable operation.
- No internal gasket to restrict airflow.
- 5-Year Warranty.



Order as a complete damper



Order Actuator and Damper separately. Contact eControls or your local distributor for actuator and damper part numbers.

Ordering Information

Damper with Actuator Model #	Damper Only Model #	Description
R80CJ06	URC06	6" Round C365 Damper, Modulating, Plug and Play
R80CJ07	URC07	7" Round C365 Damper, Modulating, Plug and Play
R80CJ08	URC08	8" Round C365 Damper, Modulating, Plug and Play
R80CJ09	URC09	9" Round C365 Damper, Modulating, Plug and Play
R80CJ10	URC10	10" Round C365 Damper, Modulating, Plug and Play
R80CJ12	URC12	12" Round C365 Damper, Modulating, Plug and Play
R80CJ14	URC14	14" Round C365 Damper, Modulating, Plug and Play
R80CJ16	URC16	16" Round C365 Damper, Modulating, Plug and Play
R80CJ18	URC18	18" Round C365 Damper, Modulating, Plug and Play
R80CJ20	URC20	20" Round C365 Damper, Modulating, Plug and Play

Actuator Model #	Description
A80MJ	For all URCXX Dampers

Compatible Wiring Hubs	WH11	WH32
	GE 1H/1C	GE 2H/1C or 1H/2C HP 3H/2C

5-Year Warranty

All products have a 5-year warranty, limited to the repair or replacement of the product due to defective material or workmanship.



eControls Inc.
26072 Merit Circle #110 / Laguna Hills, CA 92653
949-916-0945 Fax 949-458-8502 www.eControlsUSA.com

Specifications

Damper Operation

Modulating.

Output Torque

80 in-oz

Input Control

24VAC applied to OPN or CLS terminal.

Operation Time

Fully opens in approximately 2.7 seconds.

LED Indicators

Green LED indicates fully open and red LED indicates fully closed.

Electrical Power

24VAC, 2.4VA operating and 1VA holding.

Actuator

A80MJ

Damper Shell

24 gage, galvanized steel.

Damper Blade

Single, galvanized steel blade - no restriction on airflow.

Wiring

Plug and Play cable, provided with actuator.

Temperature, Operating

-20° to 175°F.

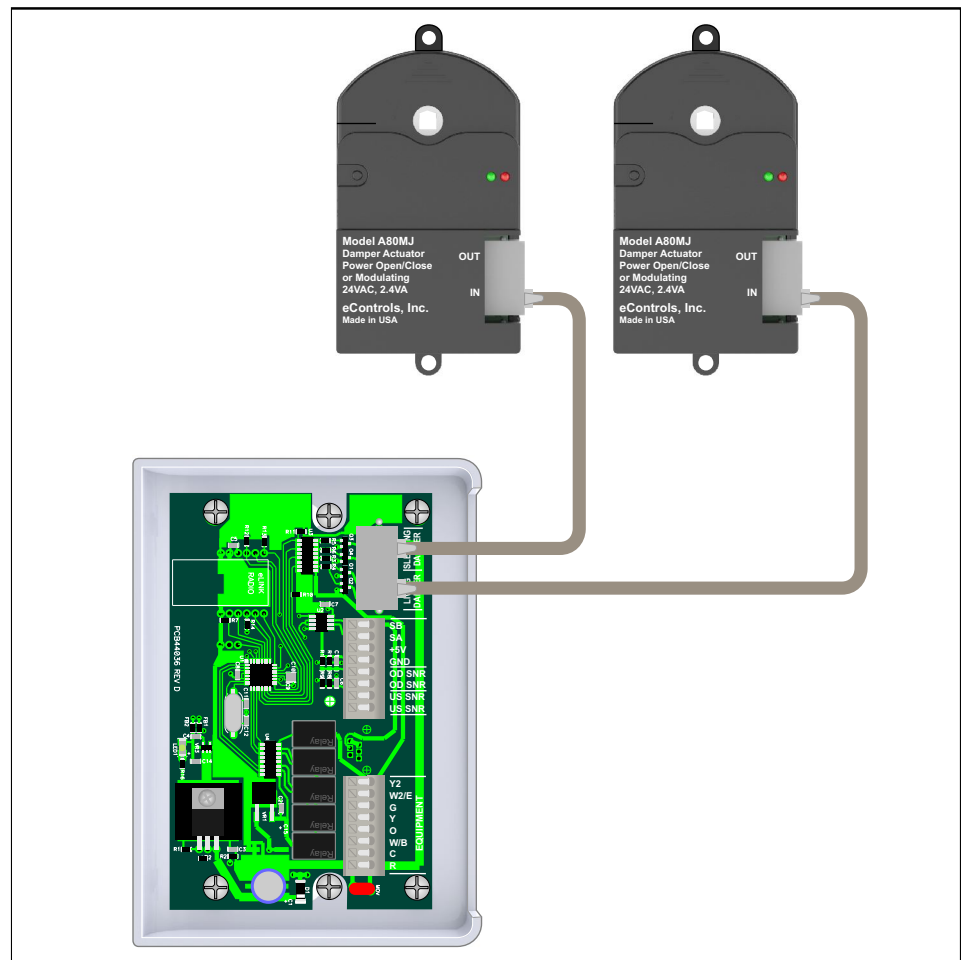
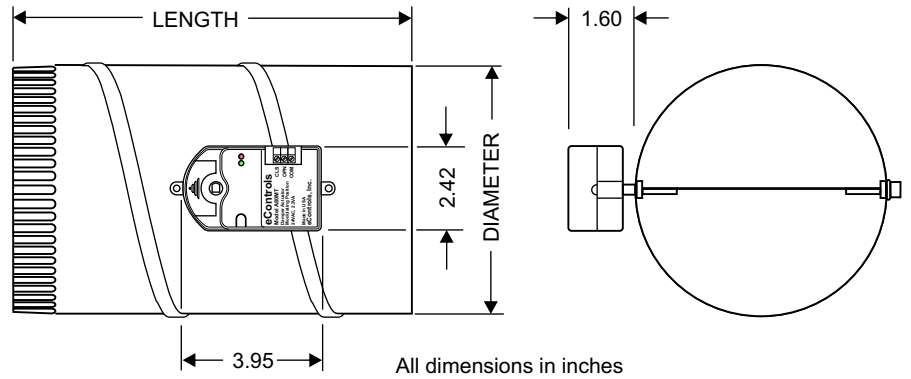
Maximum Static Pressure

1.0 inch H₂O.

Electronic Motor Control

The A80MJ uses electronic control of the motor rather than using the PCB and rotating wiper switches that degrade over time. The A80 has been tested to over 9 million cycles without failure.

Diameter	Length	Blade	Shell	CFM at 400 FPM	CFM at 600 FPM	CFM at 800 FPM	CFM at 1000 FPM	CFM at 1200 FPM
6-inch	10-inch	22 Gage	24 Gage	79	118	157	196	236
7-inch	10-inch	22 Gage	24 Gage	107	160	214	267	321
8-inch	10-inch	22 Gage	24 Gage	140	209	279	349	419
9-inch	11-inch	22 Gage	24 Gage	177	265	353	441	531
10-inch	12-inch	22 Gage	24 Gage	218	327	436	545	655
12-inch	14-inch	22 Gage	24 Gage	314	471	628	785	942
14-inch	16-inch	22 Gage	24 Gage	428	641	855	1069	1283
16-inch	18-inch	20 Gage	24 Gage	559	838	1117	1396	1676
18-inch	20-inch	20 Gage	24 Gage	707	1060	1414	1767	2121
20-inch	22-inch	20 Gage	24 Gage	873	1309	1745	2182	2618



Plug and Plug installation for AOR or RNC