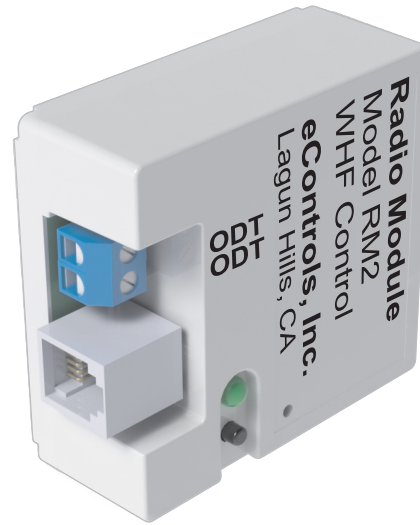


The RM2 Radio Module is used with the wireless Remote Control and the RT2 wireless Thermostat to control a WHF.

The RM2 is installed near the WHF and connects to a Relay Board using an RJ11 Plug&Play cable supplied with the Relay Board.

Terminals are provided for a low cost, outdoor temperature sensor to inhibit WHF operation when the outdoor temperature is too warm for cooling.



Pat. Pend.

Wireless
Temp Control
Timer Control
1 or 2-Speed
Variable Speed
PSC or ECM
1 Power Plug
Plug&Play

Features

- For 2-speed WHFs select OFF, High (Hi) or Low (Lo) speed operation.
- For variable speed ECM WHFs select OFF or any speed from 10% to 100%.
- Plug&Play connection to the Relay Board using an RJ11 cable.
- Two tabs provided for installing the RM2.

Specifications

Compatible WHFs

1 or 2-speed PSC or ECM fans or variable speed ECM Fans.

Compatible Controls

RC2 Remote Control or RT2 wireless thermostat.

Compatible Relay Board

Uses the FC2J Relay Board that installs in the electrical box on the WHF.

Plug&Play Connection

The RM2 Radio Module connects to the FC2J Relay board using an RJ11 7-foot cable provided with the FC2J Relay Board.

Two-Speed Control

The FC2J Relay board has two 10A relays for controlling low and high speed.

Variable Speed Control

ECM fans are controlled by a PWM signal.

Wireless Range

100 feet or more.

Wireless Protocol

FCC certified for operation in ISM band, 915MHz.

Maximum WHFs in a Home

Up to 8 different RT2 Thermostats and WHF can be used in a home.

Home Addresses

Up to 8 different Home addresses can be used so neighbors using RT2 Thermostats do not interfere with each other.

Power

Two AA batteries.

Mechanical

2.30W x 2.45L x 1.000H inches.

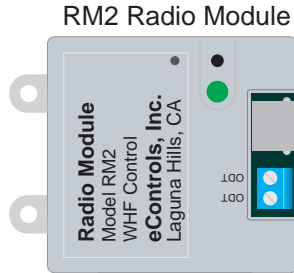
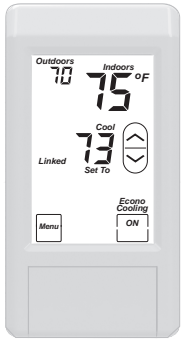
5-Year Warranty

All products have a 5-year warranty, limited to the repair or replacement of the product due to defective material or workmanship.

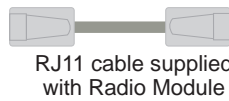
RC2 Wireless Remote Control



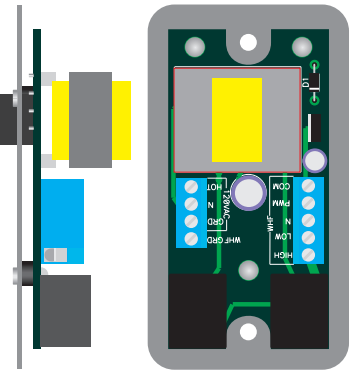
Or
RT2 Wireless Thermostat



Installed near WHF.

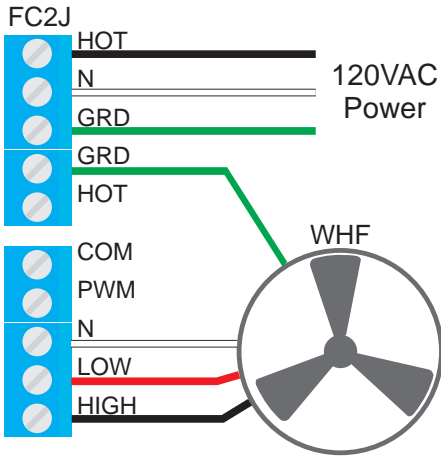


FC2J Relay Board

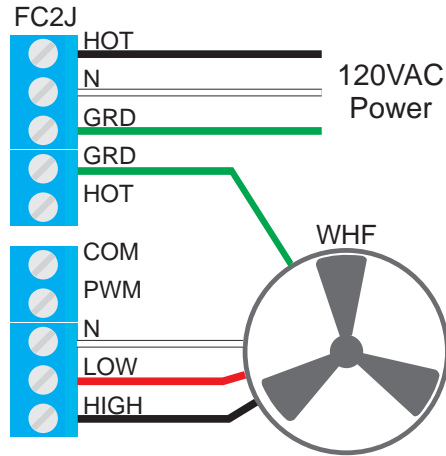


Installed in single gang electrical box on WHF.

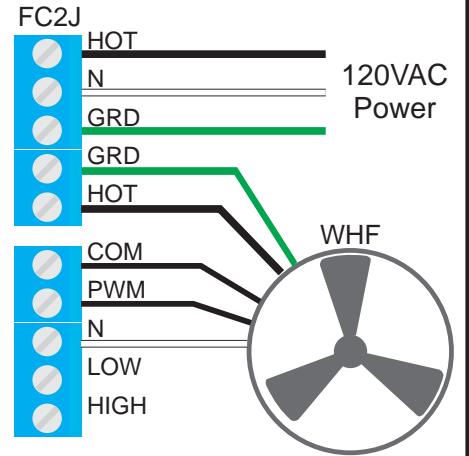
Single Speed PSC or ECM Motor



Two-Speed PSC or ECM Motor



Variable Speed ECM Motor



5-Year Warranty

All products have a 5-year warranty, limited to the repair or replacement of the product due to defective material or workmanship.

eControls

26072 Merit Circle #110 / Laguna Hills, CA 92653
949-916-0945 Fax 949-458-8502 www.eControlsUSA.com