

The RT2 is a tabletop or wall mounted wireless, touch thermostat that can be used anywhere in the home to control the Whole House Fan using energy saving temperature control or a built-in 1 to 8-hour Timer. Fan speed can be controlled from the Thermostat.

The Remote can control a single or two-speed PSC fan or a variable speed ECM fan using speed ramping using PWM control.

Optionally use an outdoor temperature sensor to inhibit WHF operation when the outdoor temperature is too warm to provide cooling.



Pat. Pend.

- Wireless
- Temp Control
- Timer Control
- 1 or 2-Speed
- Variable Speed
- PSC or ECM
- 1 Power Plug
- Plug&Play

## Features

- Controls WHF using a cooling setpoint temperature and the room temperature.
- Temperature control improves comfort and saves energy by only operating the WHF when needed for cooling. Eliminates over-cooling.
- Use the built-in 1 to 8-hour Timer to control the WHF.
- For 2-speed WHFs select OFF, High (Hi) or Low (Lo) speed operation.
- For variable speed ECM WHFs select OFF or any speed from 10% to 100%.
- Select Timer hours from the Thermostat.
- Select the type of WHF used from the Thermostat.

## Specifications

### Compatible WHFs

1 or 2-speed PSC or ECM fans or variable speed ECM Fans.

### Compatible Radio Receiver

Uses the RM2 Radio Module.

### Compatible Relay Board

Uses the FC2J Relay Board that installs in the electrical box on the WHF.

### Plug&Play Connection

The RM2 Radio Module connects to the FC2J Relay board using an RJ11 7-foot cable provided with the FC2J Relay Board.

### Two-Speed Control

The FC2J Relay board has two 10A relays for controlling low and high speed.

### Variable Speed Control

ECM fans are controlled by a PWM signal.

### Wireless Range

100 feet or more.

### Wireless Protocol

FCC certified for operation in ISM band, 915MHz.

### Maximum WHFs in a Home

Up to 8 different RT2 Thermostats and WHFs can be used in a home.

### Home Addresses

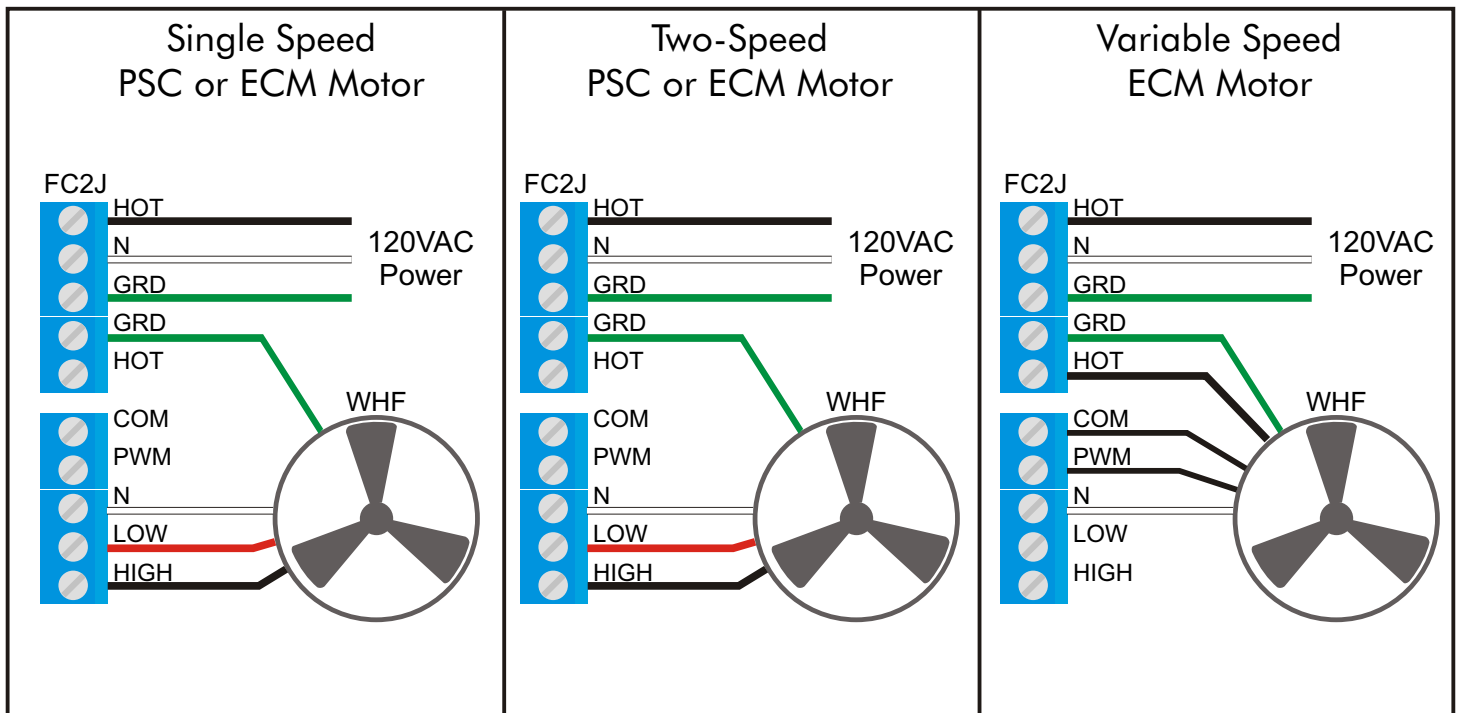
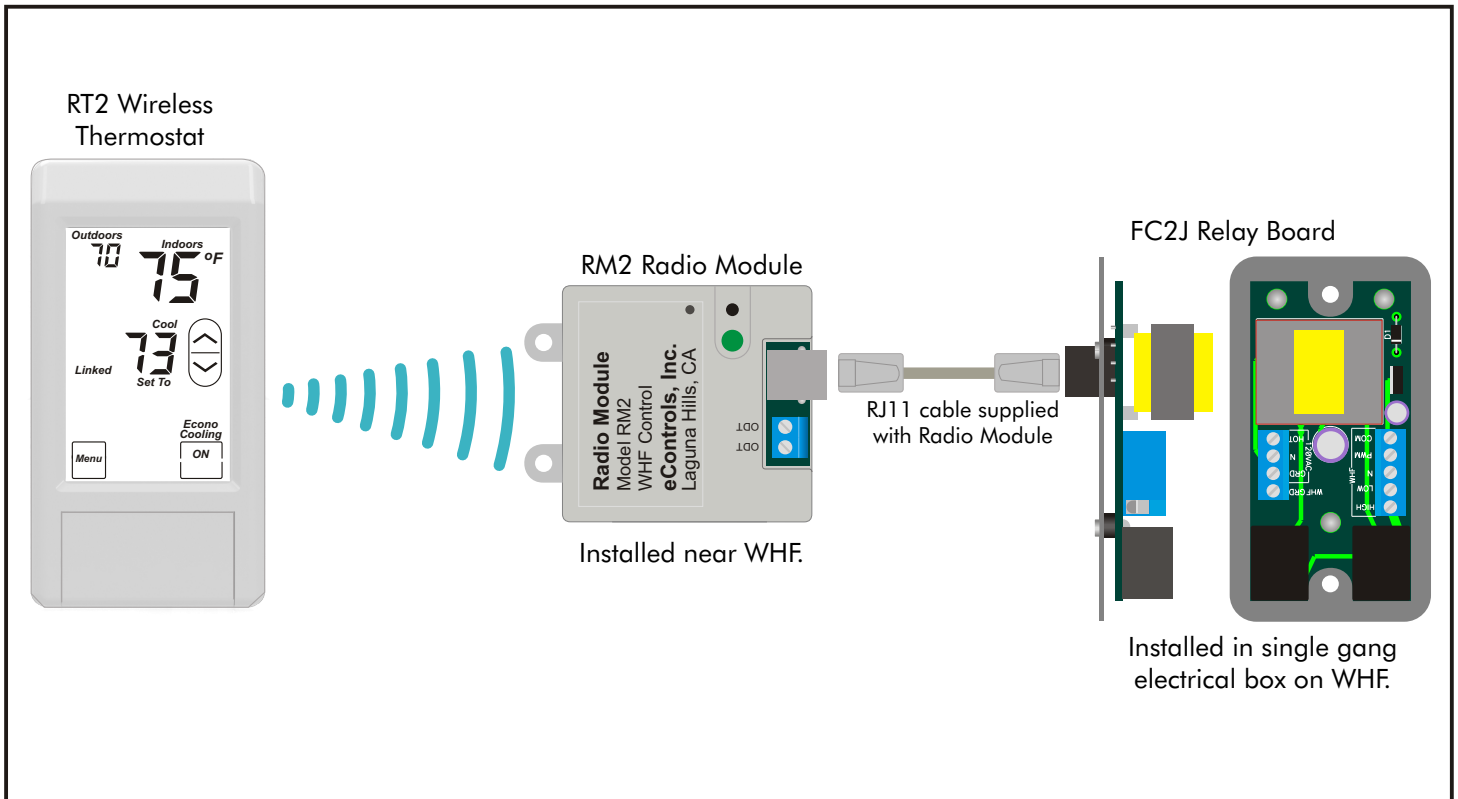
Up to 8 different Home addresses can be used so neighbors using RT2 Thermostats do not interfere with each other.

### Power

Two AA batteries.

### Mechanical

3.00W x 6.10H x 1.000D inches.



### 5-Year Warranty

All products have a 5-year warranty, limited to the repair or replacement of the product due to defective material or workmanship.

## eControls

26072 Merit Circle #110 / Laguna Hills, CA 92653  
949-916-0945 Fax 949-458-8502 [www.eControlsUSA.com](http://www.eControlsUSA.com)