

The R80DV damper is a variable position damper controlled by a manual wall control, MWC. The damper is used to control airflow from a ceiling diffuser, register or grill.

The A80VP actuator has been tested to over 9 million cycles and will provide years of quiet and reliable operation.

Features

- Modulating
- 80 in-oz of torque
- Green LED indicates fully open. Red LED indicates fully closed.
- 24VAC, 2.6VA operating. 1VA holding.
- Keyed shaft makes attaching actuator to damper error free.
- 5/16-inch diameter, die cast shafts with nylon bushings for quiet and reliable operation.
- No internal gasket to restrict airflow.
- 5-Year Warranty.



Model R80DV

Compatible Controls



Model MWC

Ordering Information

Damper Model #	Description
R80DV-06	6" Round, Direct Airflow Control Damper, Variable Position
R80DV-07	7" Round, Direct Airflow Control Damper, Variable Position
R80DV-08	8" Round, Direct Airflow Control Damper, Variable Position
R80DV-09	9" Round, Direct Airflow Control Damper, Variable Position
R80DV-10	10" Round, Direct Airflow Control Damper, Variable Position
R80DV-12	12" Round, Direct Airflow Control Damper, Variable Position
R80DV-14	14" Round, Direct Airflow Control Damper, Variable Position

CAUTIONS

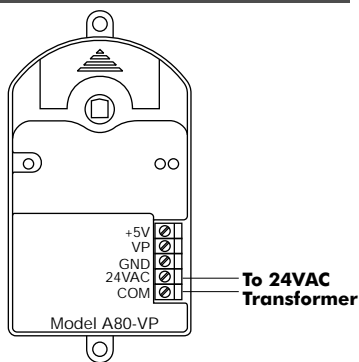
- Read and follow all instructions carefully.
- Read entire manual before installing products.
- Follow all local electrical codes during installation. All wiring must conform to local and national electrical codes.
- Use cautions when mounting components to surfaces that may have concealed wiring beneath the surface.

- ❗ Ensure that the installation process does not alter the damper in a way that will cause interference to the blade moving freely.

Caution! Direct Damper Controls are not an alternative to zoning. Installing too many controls on a single HVAC system could cause airflow and pressure problems.

Wiring the Damper

The damper requires 24VAC power that can be provided by a 40VA, 24VAC transformer. 40VA transformer can power 10 dampers. The transformer can be a plug-in type or a transformer mounted on a junction box in the ceiling.

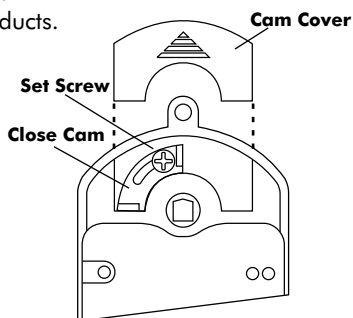


Adjustable Close Limit

The R80DV Damper actuator has a Close position limit that can be used to insure a minimum airflow even when the thermostat tries to fully close the damper. The minimum Close position can be set from about 50% closed to fully closed.

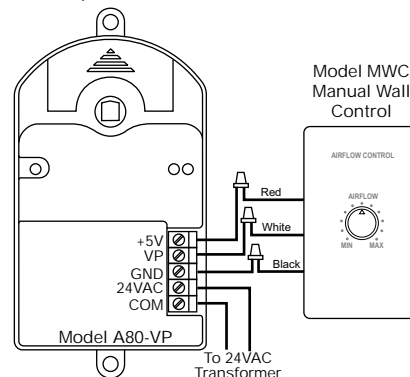
This should be used when a large number of R80DV Dampers are used with the same HVAC system to insure that static pressure does not damage the ducts.

Slide off the cam cover. Loosen the set screw and rotate the close cam counter clockwise to the desired stop position. Tighten the set screw and replace the cam cover.



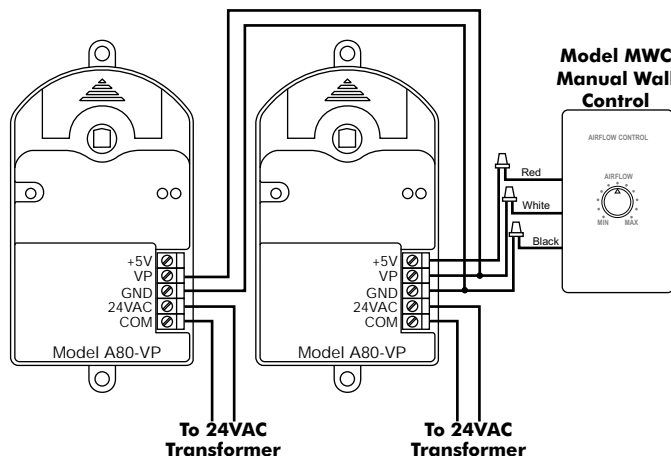
Wiring R80DV Damper to the MWC, Manual Wall Control

The R80DV Damper and MWC Manual Wall Control are connected using the GND, VP and +5V terminals.



Wiring Multiple R80DV Dampers to the MWC, Manual Wall Control

A Manual Wall Control can control multiple R80DV Dampers using the VP and GND terminals. Up to 6 R80DV Dampers can be controlled by a single Manual Wall Control.



IMPORTANT! Only the +5V terminal on the first damper is connected to the Manual Wall Control.

Limited 5-Year Warranty

The 5-year warranty is limited to the repair or replacement of defective product due to parts failure or defective workmanship.

eControls

26072 Merit Circle #110 / Laguna Hills, CA 92653
949-916-0945, www.eControlsUSA.com