

# Direct Damper Controls

## Installer Manual Model R80DWL

Rev A Jan 2018

The R80DWL damper is a wireless, modulating or open/close position damper controlled by a wireless thermostat, T200WLD, or a wireless remote control, WRCD. The damper is used to control airflow from a ceiling diffuser, register or grill.

The A80WLD actuator has been tested to over 9 million cycles and will provide years of quiet and reliable operation.

## Features

- Modulating or open/close.
- 80 in-oz of torque
- Green LED indicates fully open. Red LED indicates fully closed.
- 24VAC, 2.8VA operating. 1VA holding.
- Keyed shaft makes attaching actuator to damper error free.
- 5/16-inch diameter, die cast shafts with nylon bushings for quiet and reliable operation.
- No internal gasket to restrict airflow.
- 5-Year Warranty.



Model R80DWL

## Compatible Controls



Model T200WLD



Model WRCD

## Ordering Information

Damper Model #	Description
R80DWL-06	6" Round, Direct Airflow Control Damper, Wireless, Modulating
R80DWL-07	7" Round, Direct Airflow Control Damper, Wireless, Modulating
R80DWL-08	8" Round, Direct Airflow Control Damper, Wireless, Modulating
R80DWL-09	9" Round, Direct Airflow Control Damper, Wireless, Modulating
R80DWL-10	10" Round, Direct Airflow Control Damper, Wireless, Modulating
R80DWL-12	12" Round, Direct Airflow Control Damper, Wireless, Modulating
R80DWL-14	14" Round, Direct Airflow Control Damper, Wireless, Modulating

## CAUTIONS

- Read and follow all instructions carefully.
- Read entire manual before installing products.
- Follow all local electrical codes during installation. All wiring must conform to local and national electrical codes.
- Use cautions when mounting components to surfaces that may have concealed wiring beneath the surface.

- ❗ Ensure that the installation process does not alter the damper in a way that will cause interference to the blade moving freely.

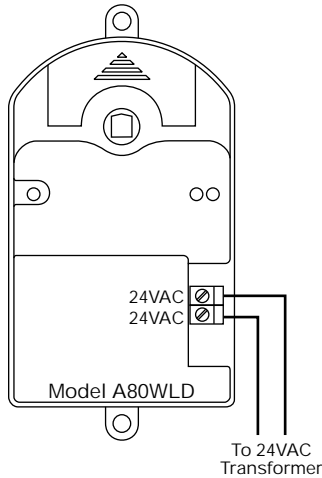
**Caution! Direct Damper Controls are not an alternative to zoning. Installing too many controls on a single HVAC system could cause airflow and pressure problems.**

## Wiring the Damper

The damper requires 24VAC power that can be provided by a 40VA, 24VAC transformer. The transformer can be a plug-in type or a transformer mounted on a junction box in the ceiling. A single 40VA transformer can power 10 dampers.

**24VAC** Connect to 24VAC transformer

**24VAC** Connect to 24VAC transformer

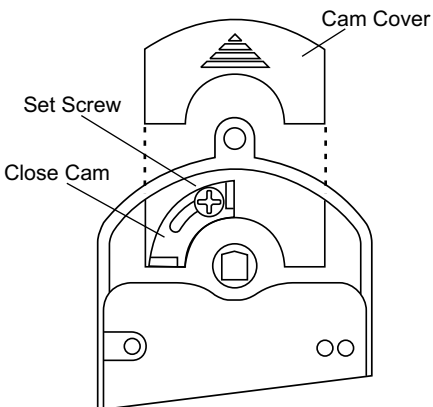


## Adjustable Close Limit

The R80DWL Damper actuator has a Close position limit that can be used to insure a minimum airflow even when the thermostat tries to fully close the damper. The minimum Close position can be set from about 50% closed to fully closed.

This should be used when a large number of R80DWL dampers are used with the same HVAC system to insure that static pressure does not damage the ducts.

Slide off the cam cover. Loosen the set screw and rotate the close cam counter clockwise to the desired stop position. Tighten the set screw and replace the cam cover.



## Limited 5-Year Warranty

The 5-year warranty is limited to the repair or replacement of defective product due to parts failure or defective workmanship.

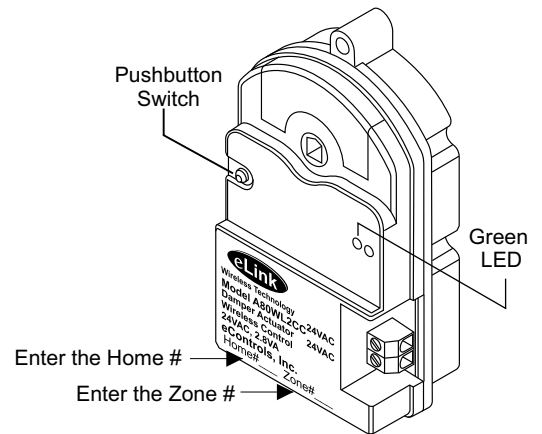
## Setting the Home and Zone Number

The default Home and Zone number for an actuator is Home 1 and Zone 1 and does not need to be changed if no other wireless direct damper controls are used in the same area.

The small pushbutton switch on the actuator is used to set the home and zone number. The home and zone number are also set in the T200WLD or WRCD. Up to 8 different home numbers and up to 8 different zone numbers can be set. The actuators can be set to the Home and Zone numbers before going out in the field. Use the space on the actuator label to record the Home and Zone numbers for easy reference.

### SETTING THE HOME NUMBER

Apply 24VAC power to the actuator. Press and hold the switch. The green LED blinks once, then twice, then three times and so on up to 8 times. Release the switch after the number of blinks to correspond to the Home number being set. Enter the Home number on the actuator label for reference.



### SETTING THE ZONE NUMBER

After setting the Home number, the Zone number can be set. Press and hold the switch. The green LED blinks once, then twice, then three times and so on up to 8 times. Release the switch after the number of blinks to correspond to the Zone number being set. Enter the Zone number on the actuator label for reference.

**!** Non metallic tape is recommended for wireless damper installations. Also, ensure that the installation process does not alter the damper in a way that will cause interference to the blade moving freely.

# eControls

26072 Merit Circle #110 / Laguna Hills, CA 92653  
949-916-0945, www.eControlsUSA.com