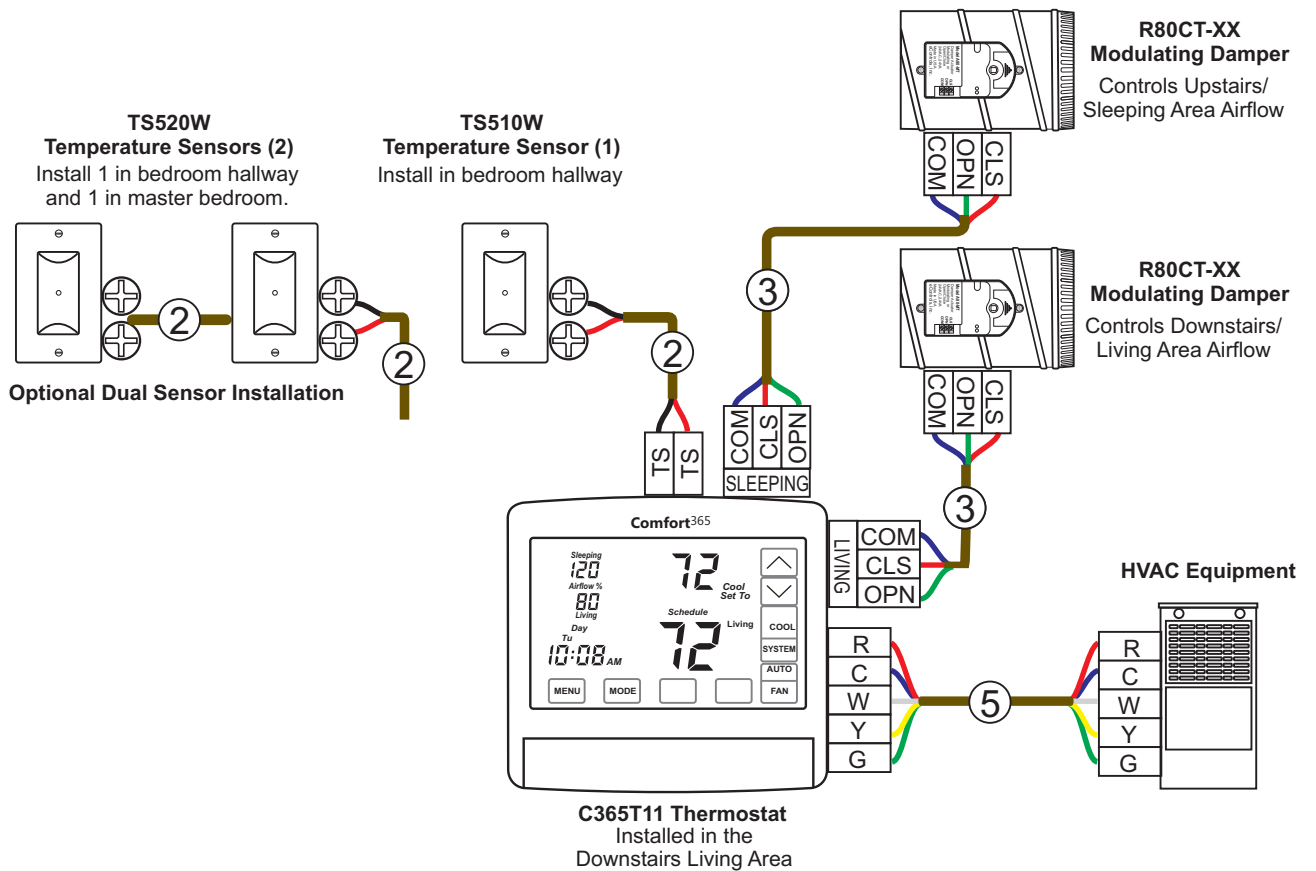


| HVAC Equipment | Wiring Hub Solution | Wired Solution | Airflow Control | Fresh Air Control | ERV/HRV Control | Whole House Fan Control | Economizer Control | Humidity Control | WiFi Option |
|----------------|---------------------|----------------|-----------------|-------------------|-----------------|-------------------------|--------------------|------------------|-------------|
| GE 1H/1C       |                     | ●              | ●               |                   |                 |                         |                    |                  |             |



② Number of wires.  
18 or 20 GA Thermostat Wire

### Single Sensor Installation

| Model # | Description                                      | Quantity |
|---------|--|----------|
| C365T11 | Comfort365 Wired Thermostat                      | 1        |
| TS510W  | Temperature Sensor. Single sensor installation.  | 1        |
| R80CT-  | Damper with Wired Actuator. _____-inch Diameter. | 1        |
| R80CT-  | Damper with Wired Actuator. _____-inch Diameter. | 1        |

### Dual Sensor Installation

| Model # | Description                                      | Quantity |
|---------|--|----------|
| C365T11 | Comfort365 Wired Thermostat                      | 1        |
| TS520W  | Temperature Sensor. Dual sensor installation.    | 2        |
| R80CT-  | Damper with Wired Actuator. _____-inch Diameter. | 1        |
| R80CT-  | Damper with Wired Actuator. _____-inch Diameter. | 1        |

### Project Information

|           |             |       |
|-----------|-------------|-------|
| Date:     | Job Name:   | PO #: |
| Location: | Architect:  |       |
| Engineer: | Contractor: |       |
| Buyer:    | Notes:      |       |