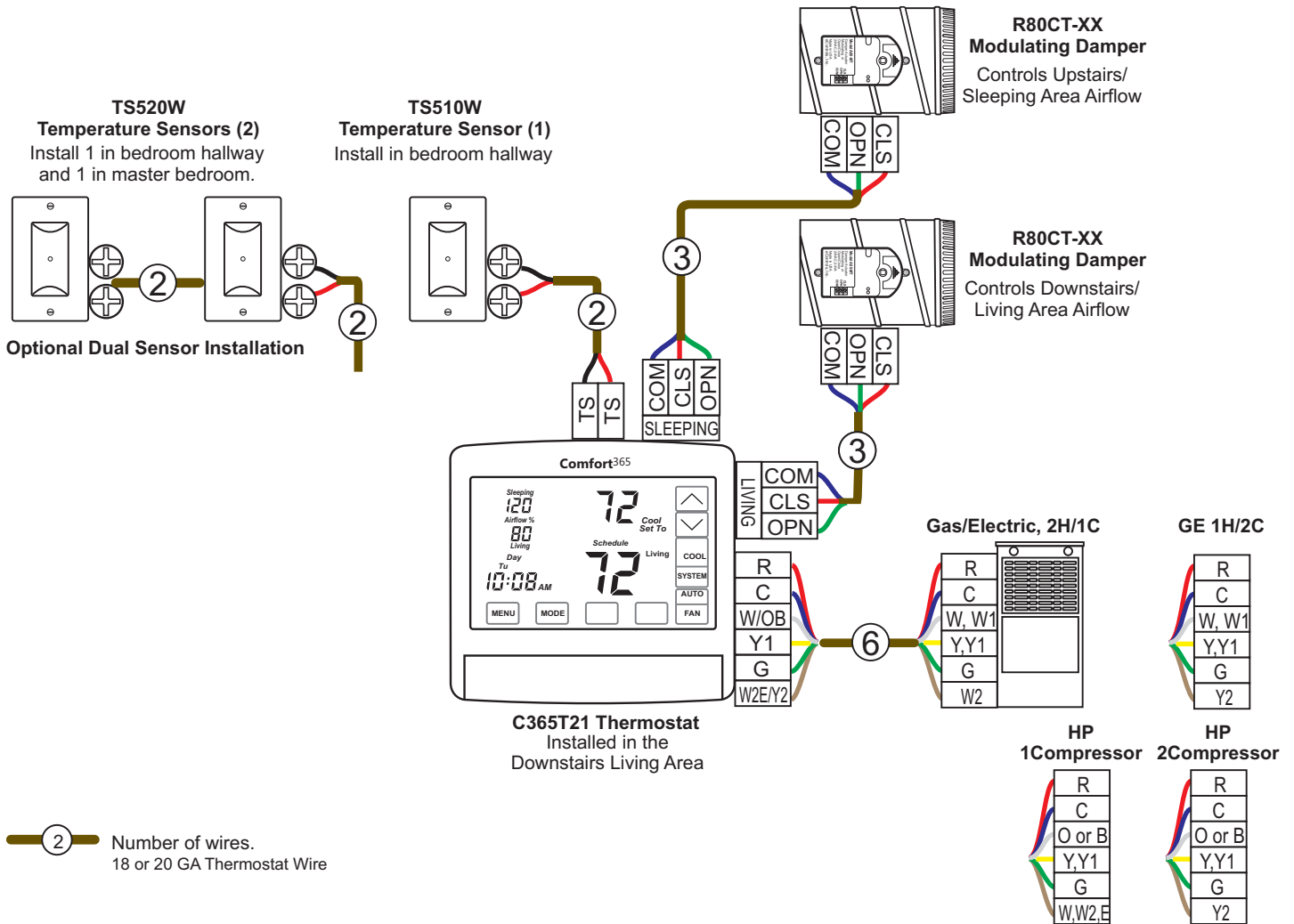


HVAC Equipment	Wiring Hub Solution	Wired Solution	Airflow Control	Fresh Air Control	ERV/HRV Control	Whole House Fan Control	Economizer Control	Humidity Control	WiFi Option
GE or HP 2H/1C or 1H/2C		●	●						



### Single Sensor Installation

Model #	Description	Quantity
C365T21	Comfort365 Wired Thermostat	1
TS510W	Temperature Sensor. Single sensor installation.	1
R80CT-	Damper with Wired Actuator. _____-inch Diameter.	1
R80CT-	Damper with Wired Actuator. _____-inch Diameter.	1

### Dual Sensor Installation

Model #	Description	Quantity
C365T21	Comfort365 Wired Thermostat	1
TS520W	Temperature Sensor. Dual sensor installation.	2
R80CT-	Damper with Wired Actuator. _____-inch Diameter.	1
R80CT-	Damper with Wired Actuator. _____-inch Diameter.	1

### Project Information

Date:	Job Name:	PO #:
Location:	Architect:	
Engineer:	Contractor:	
Buyer:	Notes:	