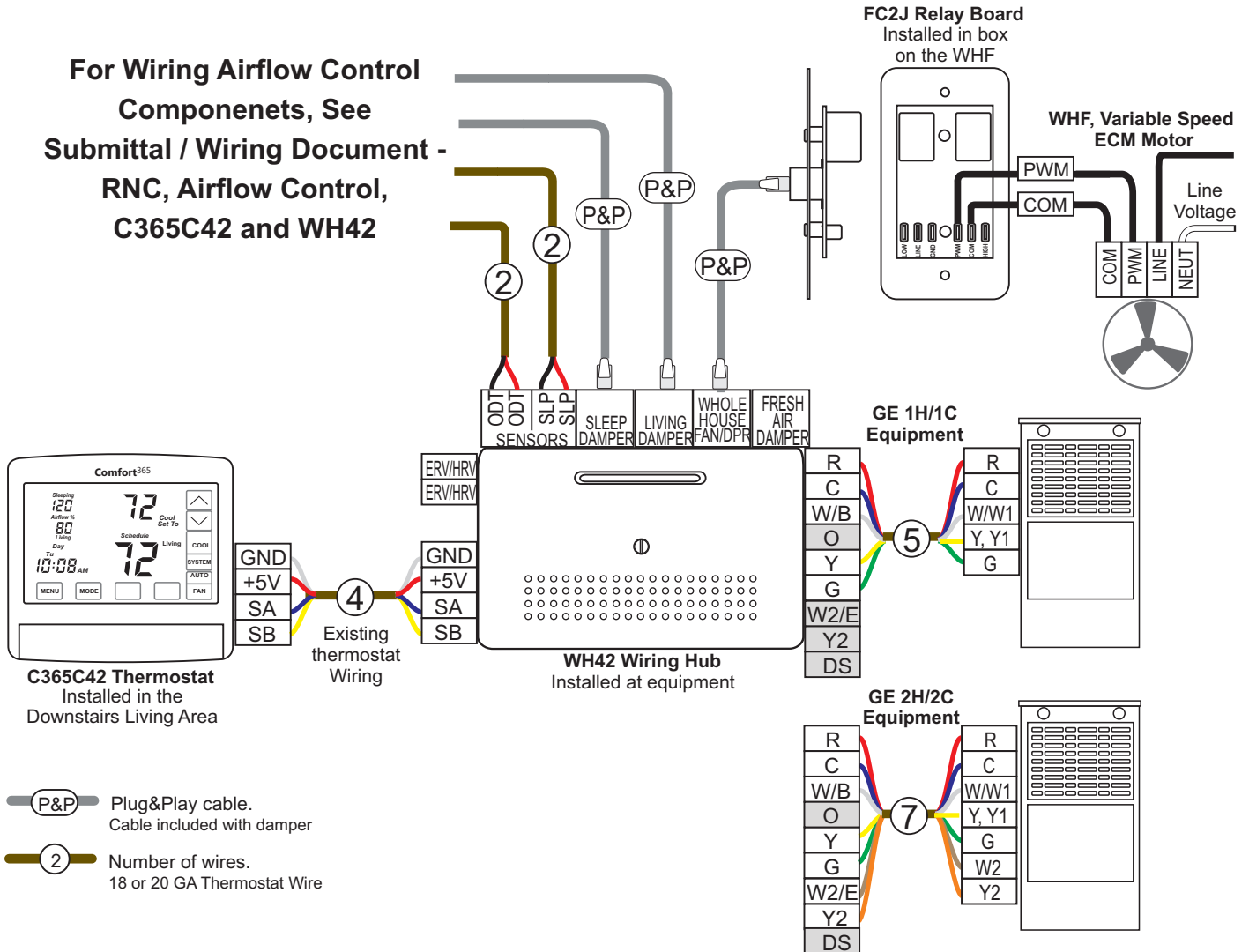


| HVAC Equipment       | Wiring Hub Solution | Wired Solution | Airflow Control | Fresh Air Control | ERV/HRV Control | Whole House Fan Control | Economizer Control | Humidity Control | WiFi Option |
|----------------------|---------------------|----------------|-----------------|-------------------|-----------------|-------------------------|--------------------|------------------|-------------|
| GE, HP or DFHP 3H/2C | ●                   |                | ●               |                   |                 | ●                       |                    |                  |             |

**For Wiring Airflow Control Components, See Submittal / Wiring Document - RNC, Airflow Control, C365C42 and WH42**



### Installation

| Model #   | Description                          | Quantity |
|---|--------------------------------------|----------|
| C365C42   | Comfort365 Communicating Thermostat. | 1        |
| WH42  | Wiring Hub                           | 1        |
| For Airflow Control Dampers and Sensors, See Submittal / Wiring Document - RNC, Airflow Control, C365C42 and WH42 |                                      |          |
| FC2J  | Relay Board, Plug&Play Connection.   | 1        |
| TS3   | Required for DFHP.                   |          |

### Project Information

|           |             |       |
|-----------|-------------|-------|
| Date:     | Job Name:   | PO #: |
| Location: | Architect:  |       |
| Engineer: | Contractor: |       |
| Buyer:    | Notes:      |       |