



SmartWHF
Control

INSTALLER MANUAL

Model RT3K

Whole House Fan Remote Control

Jan 2020

The RT3K kit includes an RT3 Remote control with two AAA batteries already installed, an RM3 Radio Module, an FC3J Fan Control and a 7' plug&play cable.

CAUTIONS

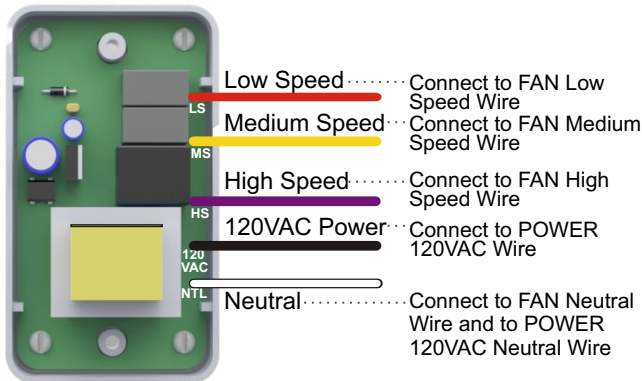
- Turn off power before installing whole house fan or controls.
- Read and follow all instructions carefully, including those included with the whole house fan. Read entire manual before installing products.
- Follow all local electrical codes during installation. All wiring must conform to local and national electrical codes.
- Installation should be performed by a qualified individual with sufficient experience and skill.
- Use cautions when mounting components to surfaces that may have concealed wiring beneath the surface.
- When servicing WHF controls, turn off all power to these items.



Step 1. Install FC3J in Junction Box on Fan

Wire the FC3J to the fan using the diagram below as a guide. If the FC3J fan control is already installed on the fan, go to Step 2.

- ❗ See FC3J Wiring Diagrams on pages 3-4 for wiring to fans manufactured by QC Manufacturing.



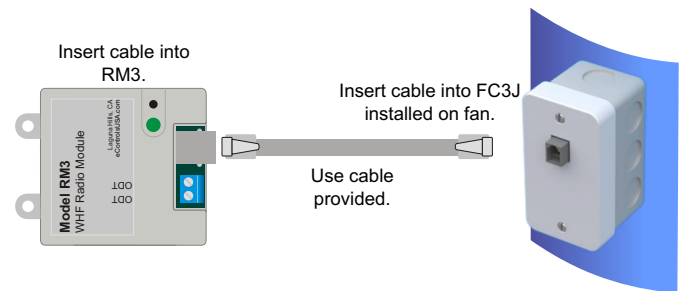
❗ Unused wires should be cut at the PCB or capped with wire nuts.

Use the screws included to secure the FC3J to the junction box on the fan making sure there are no exposed wires and the fan control is securely inside the electrical box. Failure to do so could result in electrical shock.



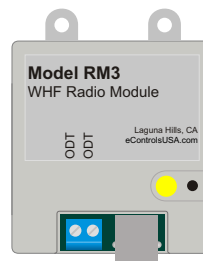
Step 2. Connect RM3 to the FC3J

Connect the FC3J Fan Control installed in the junction box on the fan to the RM3 Radio Module using the plug&play cable provided.



Step 3. Power the Fan

- ❗ If you are installing the optional outdoor temperature sensor, install the sensor first then power the fan. See page 2 for sensor installation.



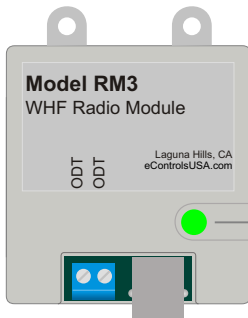
Apply power to the fan. If the fan automatically starts up, remove power and check the wiring. If the problem persists, contact us.

The LED on the RM3 Radio Module blinks yellow until communication with the RT3 Remote has been established.

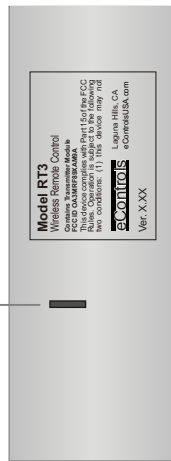
Step 4. Establish Communication Between RT3 Remote and RM3 Module

The RT3 Remote and RM3 Module are prelinked and automatically establish communication once the units are powered.

Use the pull tab on the back of the RT3 Remote to activate the AAA batteries already installed. Tilting the remote up will light the LCD and establish communication with the RM3.



The RM3 LED turns solid green and WL is displayed on the RT3 once the units are communicating, usually within seconds.



Pull Tab

Step 5. Set the Number of Fan Speeds

The RT3 is factory set to a two speed fan. For three-speed or one-speed fan installations, the number of fan speeds available needs to be changed to reflect the type of fan installed.

To change the number of speeds, **PRESS** and **HOLD** **MODE** until the first option is displayed. **PRESS** **MODE** again to display the number of speeds. **PRESS** **▲** to set a 3-speed fan or **PRESS** **▼** to set a 1-speed fan.

Step 6. Checking the Installation

CHECK FAN OPERATION

PRESS **MODE** then **PRESS** **▲** to select **TIMER CONTROL**.

PRESS **ON/OFF** to turn the fan **ON**. Fan should be running.

CHECK FAN SPEEDS

Verify that the fan is running in High speed. For a 3-Speed fan,

PRESS **SPEED** then **PRESS** **▼** to lower the fan speed to Medium (**M**). **PRESS** **SPEED** then **PRESS** **▼** to lower the fan speed to Low (**L**). **PRESS** **SPEED** then **PRESS** **▲** to return to High (**H**) speed.

For a 2-Speed fan, **PRESS** **SPEED** then **PRESS** **▼** to lower the fan speed to Low (**L**). **PRESS** **SPEED** then **PRESS** **▲** to return to High (**H**) Speed.

PRESS **ON/OFF** to turn the fan **OFF**.

RETURN TO TEMPERATURE CONTROL

PRESS **MODE** then **PRESS** **▼** to select **TEMPERATURE CONTROL**.

Troubleshooting

LED on RM3 Radio Module not lit.

Ensure that the cable is completely plugged into the connectors on the RM3 and the FC3J. Ensure the fan is powered.

RT3 Remote doesn't seem to be communicating

The RT3 and RM3 are prelinked to each other and are identified by an ID # on the back of the units. Ensure that the RT3 and the RM3 ID #s match.

Fan speeds available seems incorrect.

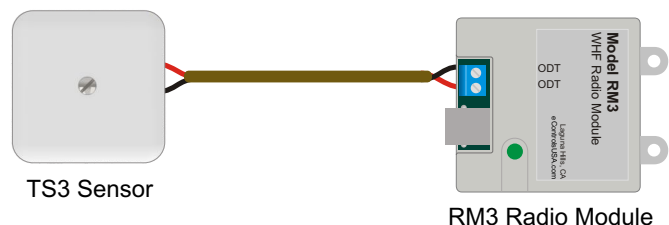
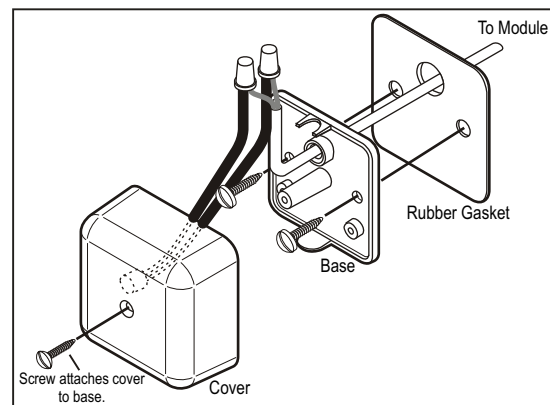
Ensure that the number of speeds set in Step 5 correspond to the type of fan installed - 1-speed, 2-speed or 3-speed fan. check with your installer or the whole house fan manual if unsure about the type of fan installed.

Optional TS3 Outdoor Temperature Sensor



The optional TS3 Outdoor Temperature Sensor is used to delay fan operation when the outdoor temperature is too warm to provide cooling.

- Install under the eaves of the home, out of direct sunlight, away from a vent - in a location where the temperature reading will not be influenced.
- Drill a 3/8-inch hole for wiring access.
- With the two screws provided, attach the base to the wall with the optional rubber gasket between the wall base. Center the hole in the base over the drilled hole. Note the wiring flange on the base is positioned at the bottom.
- With the wire nuts provided, attach the two sensor wires to a 2-conductor, 18 or 20 gage, thermostat cable and pass the cable through the 3/8-inch hole drilled in the wall.
- Attach the cover to the base with the screw. Be sure the wire access opening is at the bottom of the cover.



FC3J Wiring Diagrams for fans manufactured by QC Manufacturing

Use the tables below to determine which wiring diagram to wire the Fan and Power to the FC3J. The wire colors used by the Fan manufacturer for high, medium and low speed vary with fan models. The model number is on a label on the Fan.

CLASSIC Series

Blue Fan, PSC Motor

Model #	Speeds	Wiring Diagram
CL-1500	One	WD-01
CL-2250	Two	WD-02
CL-3100	Two	WD-02
CL-4700	Two	WD-02
CL-5400	Two	WD-02
CL-6000	Two	WD-02
CL-7000	Two	WD-02

TRIDENT PRO Series

Red Fan, PSC Motor

Model #	Speeds	Wiring Diagram
Tri Pro-1.5X	One	WD-01
Tri Pro-2.5X	Two	WD-02
Tri Pro-3.3X	Two	WD-02
Tri Pro-4.8X	Two	WD-02
Tri Pro-5.5X	Two	WD-02
Tri Pro-6.0X	Two	WD-02
Tri Pro-7.0X	Two	WD-02

ENERGY SAVER Series

Green Fan, ECM Motor

Model #	Speeds	Wiring Diagram
ES-1500	One	WD-03
ES-2250	Two	WD-04
ES-3100	Two	WD-06
ES-4700	Two	WD-06
ES-5400	Two	WD-06
ES-6000	Two	WD-06
ES-7000	Two	WD-06

STEALTH PRO Series

Black Fan, ECM Motor

Model #	Speeds	Wiring Diagram
STL Pro 1.5X	One	WD-03
STL Pro 2.5X	Two	WD-04
STL Pro 3.3X	Two	WD-06
STL Pro 4.8X	Three	WD-05
STL Pro 5.5X	Three	WD-05
STL Pro 6.0X	Three	WD-05
STL Pro 6.7X	Three </tr	

⚠ Cautions - Be sure to follow all codes in your locality.

Safety

Be sure all power to the Fan is OFF before attempting any wiring.

Power Wiring

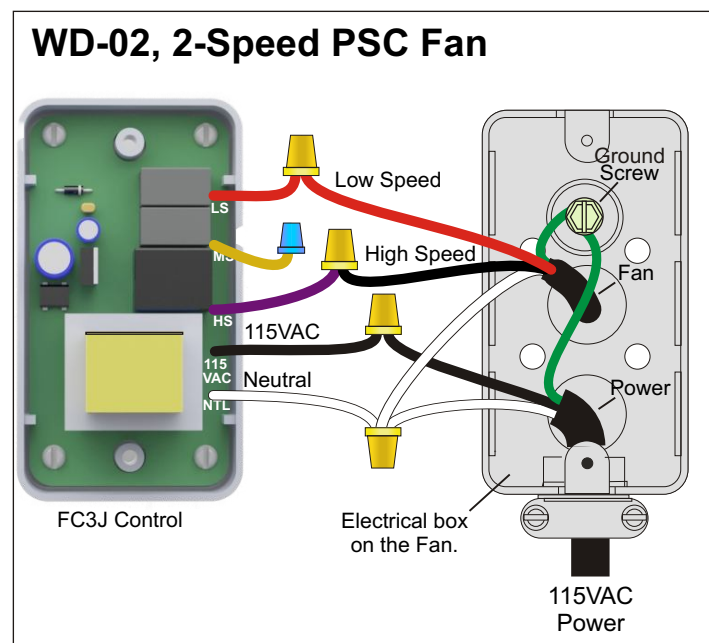
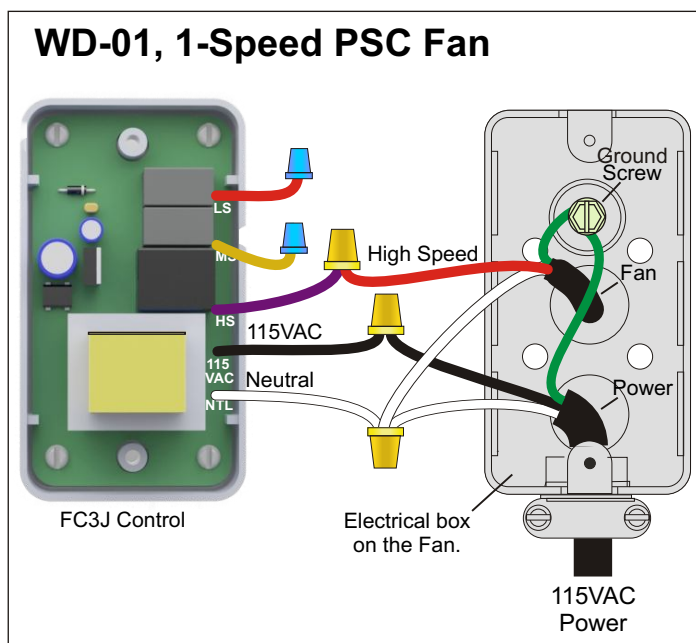
Use AWG14 Romex cable or a heavy duty (15A) power cord to power the Fan.

Ground Wiring

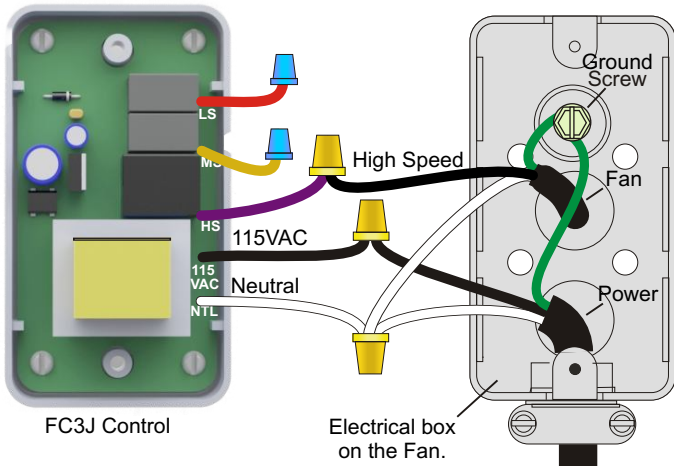
All green or bare copper ground wires should be tied together and to the ground screw in the bottom of the electrical box on the Fan.

Unused Wires

Be sure to cap any unused wire from the FC3J with smaller blue wire nuts.



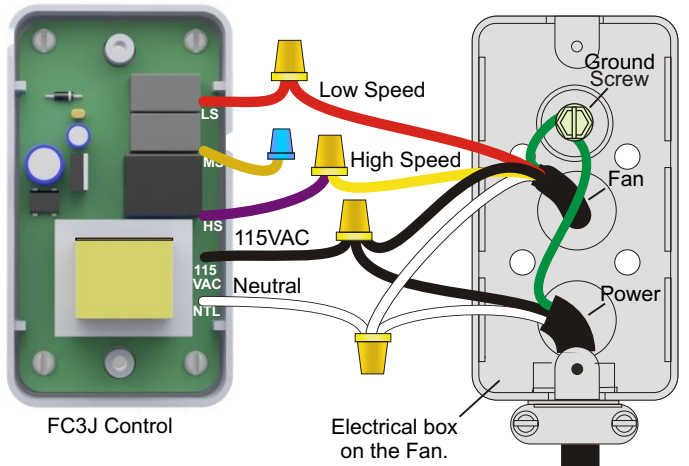
WD-03, 1-Speed ECM Fan



*Black wire from fan motor may be solid black or black with white stripe.

115VAC
Power

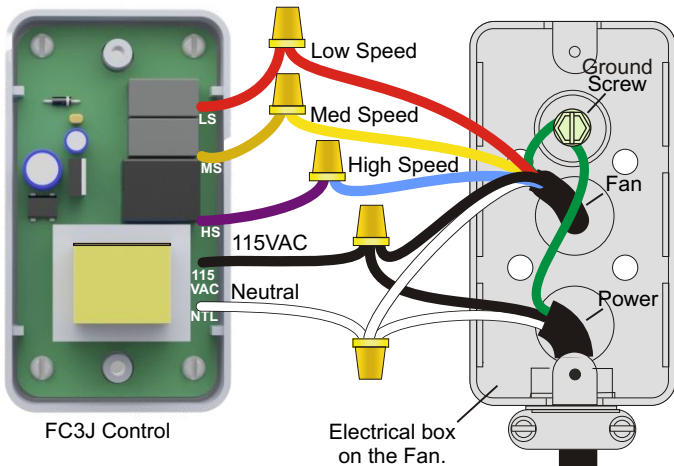
WD-04, 2-Speed ECM Fan



*Black wire from fan motor may be solid black or black with white stripe.

115VAC
Power

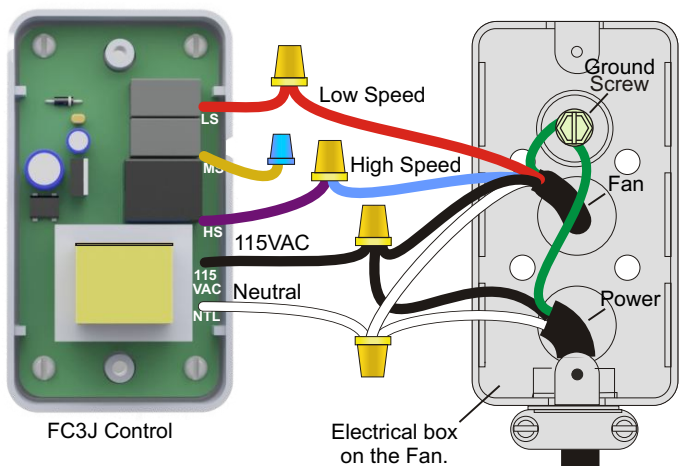
WD-05, 3-Speed ECM Fan



*Black wire from fan motor may be solid black or black with white stripe.

115VAC
Power

WD-06, 2-Speed ECM Fan



*Black wire from fan motor may be solid black or black with white stripe.

115VAC
Power

Warranty

This thermostat is warranted to be free of defects due to workmanship or materials under normal use and service for a period of 5 years from date of installation and not longer than 6 years from manufacturing date code.

eControls

26072 Merit Circle #110 / Laguna Hills, CA 92653
949-916-0945 Fax 949-458-8502
www.eControlsUSA.com