

FC3J Wiring Instructions, QuietCool Energy Saver Classic Series

! Always check the wiring information provided with the whole house fan to verify wire colors and function.

The ES Classic series uses energy saving ECM motors that wire differently than whole house fans using PSC motors. Different models within the ES series wire differently and are shown below.

! WARNING!

When wiring your whole house fan be sure the power to the fan is turned off or not plugged into the wall.

Remove Unused Control Wires on the FC3J

Unused wires on the FC3J should be removed by cutting the wire close to the printed circuit board so it cannot contact the metal case.

For the ES-1500

On the FC3J, remove the yellow (medium speed) and the Red (low speed) wires.

For the ES-2250, ES-3100, ES-4700, ES-5400, ES-6000 and ES-7000

On the FC3J, remove the yellow (medium speed) wire.

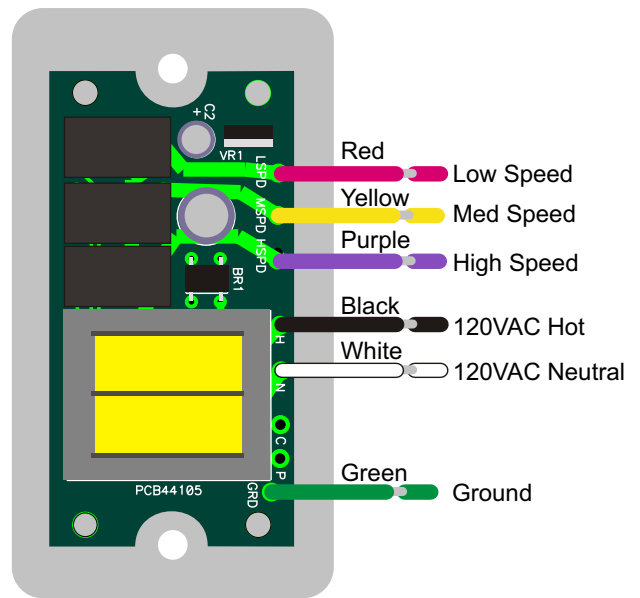


Figure 1. Model FC3J fan control that is wired to incoming 120VAC power and the ES fan.

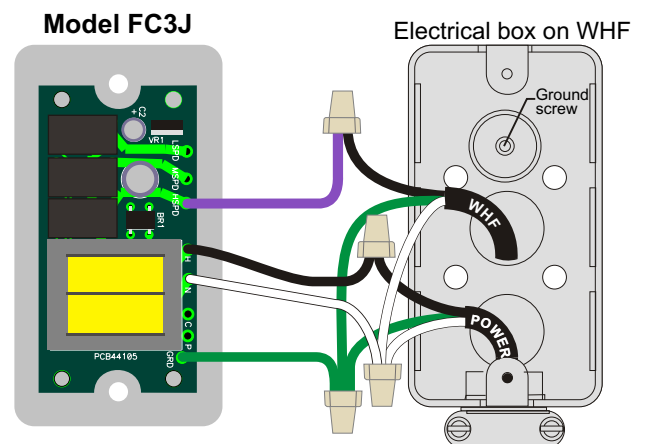
Wiring Instructions ES-1500

The ES-1500 is a single speed fan and has a single cable coming from the fan.

- Step1. Connect the FC3J White wire to the incoming 120VAC power White wire and the fan White wire.
- Step2. Connect the FC3J Black wire to the incoming 120VAC power Black wire.
- Step3. Connect the FC3J Purple wire to the fan Black wire.
- Step4. Connect the FC3J Green wire to the incoming 120VAC power green or bare copper wire and to the fan Green wires.

! WARNING!

Be sure the wire nuts connecting the wires are the proper size and securely connected. You can wrap the wire nuts and wires with black electrical tape for added protection.



FC3J Wire	Connects To
High Speed (Purple)	WHF High Speed (Black)
Med Speed (Yellow)	Not Used.
Low Speed (Red)	Not Used.
Neutral (White)	WHF Neutral (White) and 120VAC Neutral (White)
Ground (Green)	WHF Ground (Green) and Power Ground (Green)
120VAC (Black)	Power 120VAC (Black)



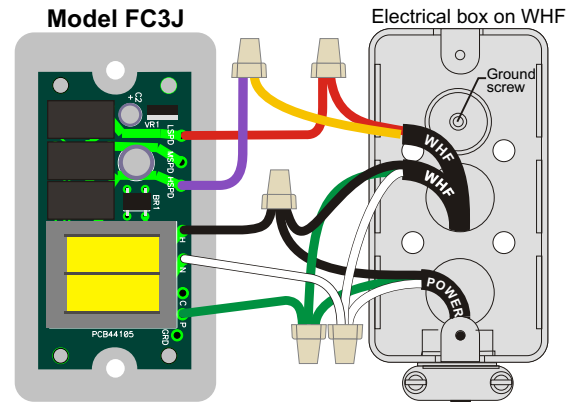
Wiring Instructions ES-2550

The ES-2250 is a two-speed fan and has two cables coming from the fan. The cable with the Black, White and Green wires provides continuous power to the ECM fan motor and the cable with the Yellow, Red and Green wires control the fan speed.

- Step1. Connect the FC3J White wire to the incoming 120VAC power White wire and the fan power White wire.
- Step2. Connect the FC3J Black wire to the incoming 120VAC power Black wire and the fan power Black wire.
- Step3. Connect the FC3J Purple wire to the fan Yellow wire (high speed).
- Step4. Connect the FC3J Red wire to the fan Red wire (Low speed).
- Step5. Connect the FC3J Green wire to the incoming 120VAC power green or bare copper wire and to the fan Green wires.

⚠ WARNING!

Be sure the wire nuts connecting the wires are the proper size and securely connected. You can wrap the wire nuts and wires with black electrical tape for added protection.



FC3J Wire	Connects To
High Speed (Purple)	WHF High Speed (Yellow)
Med Speed (Yellow)	Not Used.
Low Speed (Red)	WHF Low Speed (Red)
Neutral (White)	WHF White wire and 120VAC power White
Ground (Green)	Power Green or bare copper wire, WHF power Green wires
120VAC (Black)	120VAC power Black wire and WHF Black wire.

Power Cord or Romex

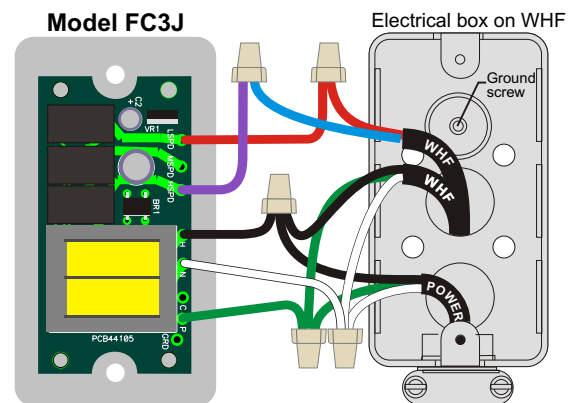
Wiring Instructions ES-3100, ES-4700, ES-5400, ES-6000 and ES-7000

These fans are two-speed fan and have two cables coming from the fan. The cable with the Black, White and Green wires provides continuous power to the ECM fan motor and the cable with the Blue, Red and Green wires control the fan speed.

- Step1. Connect the FC3J White wire to the incoming 120VAC power White wire and the fan power White wire.
- Step2. Connect the FC3J Black wire to the incoming 120VAC power Black wire and the fan power Black wire.
- Step3. Connect the FC3J Purple wire to the fan Blue wire (high speed).
- Step4. Connect the FC3J Red wire to the fan Red wire (Low speed).
- Step5. Connect the FC3J Green wire to the incoming 120VAC power green or bare copper wire and to the fan Green wires.

⚠ WARNING!

Be sure the wire nuts connecting the wires are the proper size and securely connected. You can wrap the wire nuts and wires with black electrical tape for added protection.



FC3J Wire	Connects To
High Speed (Purple)	WHF High Speed (Blue)
Med Speed (Yellow)	Not Used.
Low Speed (Red)	WHF Low Speed (Red)
Neutral (White)	WHF White wire and 120VAC power White
Ground (Green)	Power Green or bare copper wire, WHF power Green wires
120VAC (Black)	120VAC power Black wire and WHF Black wire.

Power Cord or Romex