



# INSTALLER MANUAL

## Model WTTKWL

### Wall Control and Remote

Jan 2020

The WTTKWL kit includes a WTT Wall Control, an FC3J Fan Control, an RTT Remote, a WLM Plug-in Radio Module and a 50' plug&play cable.

The optional TS3J Outdoor Temperature Sensor can be added to the installation to delay fan operation if the outdoor temperature is too warm to provide cooling.

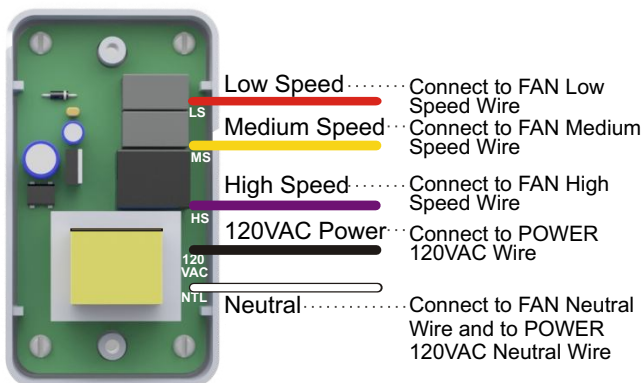
### CAUTIONS

- Turn off power before installing whole house fan or controls.
- Read and follow all instructions carefully, including those included with the whole house fan. Read entire manual before installing products.
- Follow all local electrical codes during installation. All wiring must conform to local and national electrical codes.
- Installation should be performed by a qualified individual with sufficient experience and skill.
- Use cautions when mounting components to surfaces that may have concealed wiring beneath the surface.
- When servicing WHF controls, turn off all power to these items.

### Step 1. Install FC3J in Junction Box on Fan

Wire the FC3J to the fan using the diagram below as a guide. If the FC3J fan control is already installed on the fan, go to Step 2.

- ❗ See FC3J Wiring Diagrams on pages 3-4 for wiring to fans manufactured by QC Manufacturing, Inc.



⚠ *Unused wires should be cut at the PCB or capped with wire nuts.*

Use the screws included to secure the FC3J to the junction box on the fan making sure there are no exposed wires and the fan control is securely inside the electrical box. Failure to do so could result in electrical shock.



### Step 2. Connect Cable to the FC3J

Connect one end of the "RED" Plug&Play cable into the FC3J fan control already installed on the junction box on the fan.

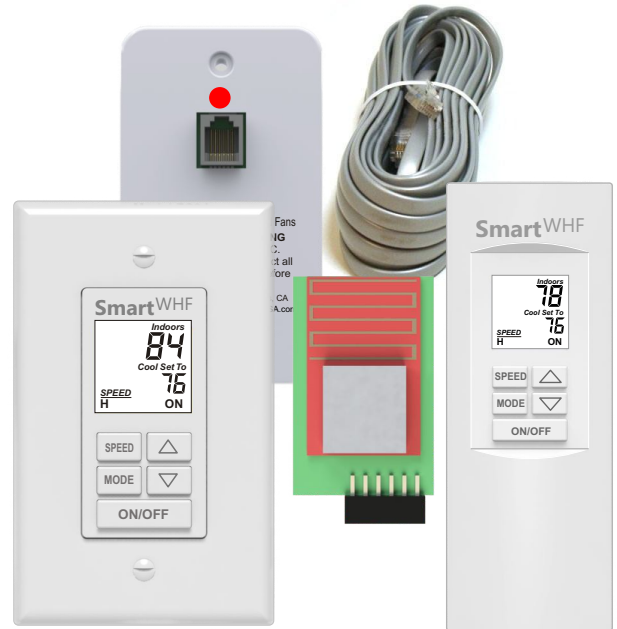
Feed this end to the gang box

Insert into FC3J already installed on fan.



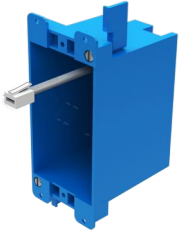
### Step 3. Install a Plastic Retrofit Gang Box

The WTT is installed in a plastic retrofit single gang box in the sleeping space on a wall about 5' off the floor in a location that will best sense the temperature for the space. Do not install in a location where the temperature will be influenced such as in direct sunlight, on an exterior wall, etc. **Do not install WTT in a metal gang box.**



## Step 4. Feed Cable to Gang Box

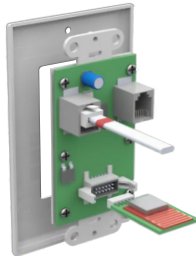
❗ If the optional TS3J Outdoor Temperature Sensor is being installed, install it now. (See the TS3J Installer Guide.)



Feed the other ends of the cable from the FC3J and the TS3J (if installed) through the wall and the opening in the gang box. Insert the gang box into the wall opening and secure.

## Step 5. Install the WLM Plug-In Module

Make sure the Plug-In Module is oriented with the RED chip side up as illustrated. Use the guide to insert the module.



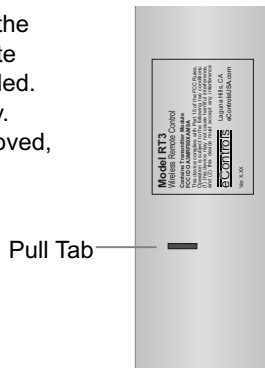
Module is RED side up.

## Step 6. Power the Fan

Apply power to the fan. If the fan automatically starts up, remove power and check the wiring. If the problem persists, contact us.

## Step 7. Power the RTT

Use the pull tab on the back of the RTT Wireless Remote to activate the AAA batteries already installed. You should see the LCD display. When the wireless remote is moved, the LCD lights up.



## Step 8. Connect the Cable(s) to WTT

If a sensor is installed, connect the cable with the "YELLOW" marker into the "YELLOW" connector.

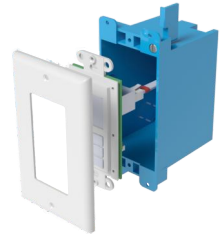
Connect the cable with the "RED" marker into the "RED" connector. The LCD display should be lit. If not, check the connector.

Verify that WL is flashing on the WTT. This indicates that the WLM module is plugged into the WTT correctly. If WL is not flashing, verify that the WLM is oriented correctly (RED side up) and that it's plugged in completely.



## Step 9. Attach the WTT and Wall Plate

Attach the WTT wall control to the plastic gang box using the screws provided. Attach the wall plate to the WTT using the screws provided in the wall plate.



## Step 10. Set the Number of Fan Speeds

Apply 120VAC power to the whole house fan. The LCD on the WTT should light up.

The WTT defaults to a two speed fan. To change the number of speeds, **PRESS** and **HOLD** **MODE** for about 7 seconds until STimer is displayed. **PRESS** **MODE** again to display the number of speeds. **PRESS** **▲** to set a 3-speed fan or **PRESS** **▼** to set a 1-speed fan.

## Step 11. Link RTT and Wall Control

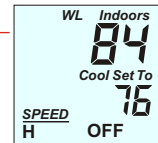
**At the WTT Wall Control**

**PRESS** and **HOLD** **MODE** for about 7 seconds until first option is displayed. **PRESS** **MODE** until WL OFF is displayed. **PRESS** **▲** to select ON.

**At the RTT Wireless Remote**

**PRESS** and **HOLD** **MODE** for about 7 seconds until first option is displayed. **PRESS** **MODE** until WL OFF is displayed. **PRESS** **▲** to select ON.

Once the WTT Wall Control and the RTT Wireless Remote are linked, WL stops blinking and displays as solid.



## Step 12. Checking the Installation

**CHECK FAN OPERATION**

**PRESS** **MODE** then press **▲** to select TIMER CONTROL. **PRESS** **ON/OFF** to turn the fan ON. Fan should be running.

**CHECK FAN SPEEDS**

Verify that the fan is running in High speed. For a 3-Speed fan, **PRESS** **SPEED** then **PRESS** **▼** to lower the fan speed to Medium (M). **PRESS** **SPEED** then **PRESS** **▼** to lower the fan speed to Low (L). **PRESS** **SPEED** then **PRESS** **▲** to return to High (H) speed.

For a 2-Speed fan, **PRESS** **SPEED** then **PRESS** **▼** to lower the fan speed to Low (L). **PRESS** **SPEED** then **PRESS** **▲** to return to High (H) Speed.

**PRESS** **ON/OFF** to turn the fan OFF.

**RETURN TO TEMPERATURE CONTROL**

**PRESS** **MODE** then **PRESS** **▼** to select TEMPERATURE CONTROL.

# FC3J Wiring Diagrams for fans manufactured by QC Manufacturing , Inc

Use the tables below to determine which wiring diagram to wire the Fan and Power to the FC3J. The wire colors used by the Fan manufacturer for high, medium and low speed vary with fan models. The model number is on a label on the Fan.

## CLASSIC Series

Blue Fan, PSC Motor

Model #	Speeds	Wiring Diagram
CL-1500	One	WD-01
CL-2250	Two	WD-02
CL-3100	Two	WD-02
CL-4700	Two	WD-02
CL-5400	Two	WD-02
CL-6000	Two	WD-02
CL-7000	Two	WD-02

## TRIDENT PRO Series

Red Fan, PSC Motor

Model #	Speeds	Wiring Diagram
Tri Pro-1.5X	One	WD-01
Tri Pro-2.5X	Two	WD-02
Tri Pro-3.3X	Two	WD-02
Tri Pro-4.8X	Two	WD-02
Tri Pro-5.5X	Two	WD-02
Tri Pro-6.0X	Two	WD-02
Tri Pro-7.0X	Two	WD-02

## ENERGY SAVER Series

Green Fan, ECM Motor

Model #	Speeds	Wiring Diagram
ES-1500	One	WD-03
ES-2250	Two	WD-04
ES-3100	Two	WD-06
ES-4700	Two	WD-06
ES-5400	Two	WD-06
ES-6000	Two	WD-06
ES-7000	Two	WD-06

## STEALTH PRO Series

Black Fan, ECM Motor

Model #	Speeds	Wiring Diagram
STL Pro 1.5X	One	WD-03
STL Pro 2.5X	Two	WD-04
STL Pro 3.3X	Two	WD-06
STL Pro 4.8X	Three	WD-05
STL Pro 5.5X	Three	WD-05
STL Pro 6.0X	Three	WD-05
STL Pro 6.7X	Three </td <td>WD-05</td>	WD-05

**⚠ Cautions - Be sure to follow all codes in your locality.**

### Safety

Be sure all power to the Fan is OFF before attempting any wiring.

### Power Wiring

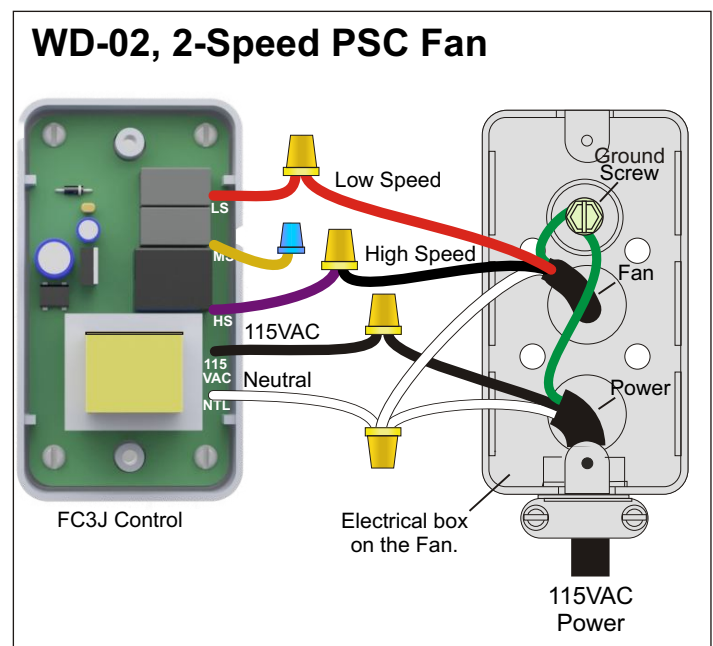
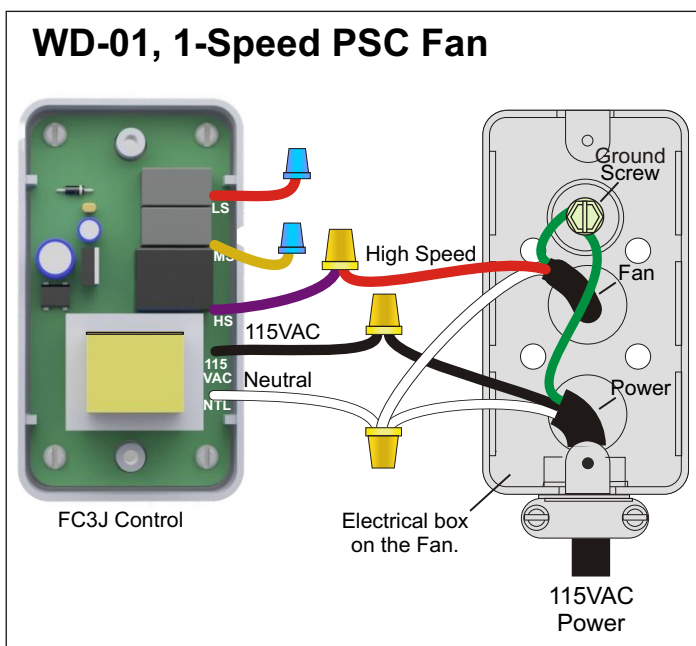
Use AWG14 Romex cable or a heavy duty (15A) power cord to power the Fan.

### Ground Wiring

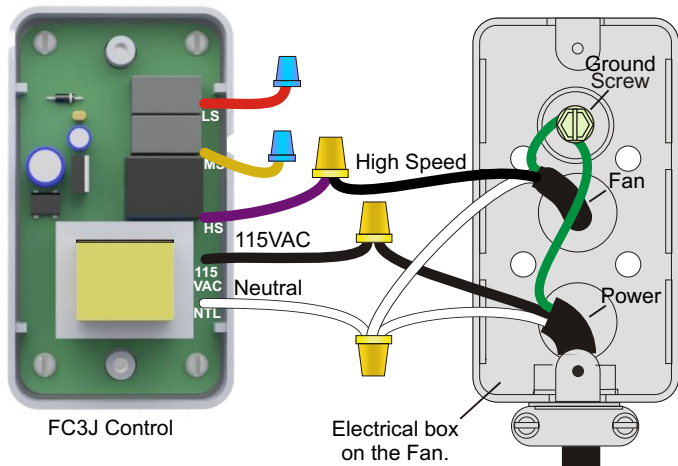
All green or bare copper ground wires should be tied together and to the ground screw in the bottom of the electrical box on the Fan.

### Unused Wires

Be sure to cap any unused wire from the FC3J with smaller blue wire nuts.



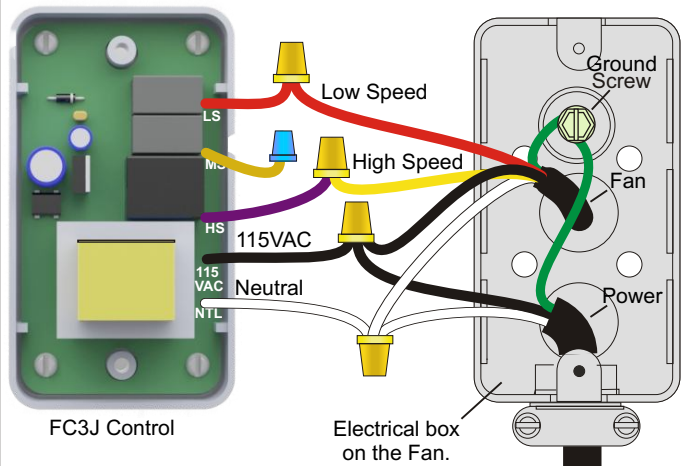
### WD-03, 1-Speed ECM Fan



\*Black wire from fan motor may be solid black or black with white stripe.

115VAC Power

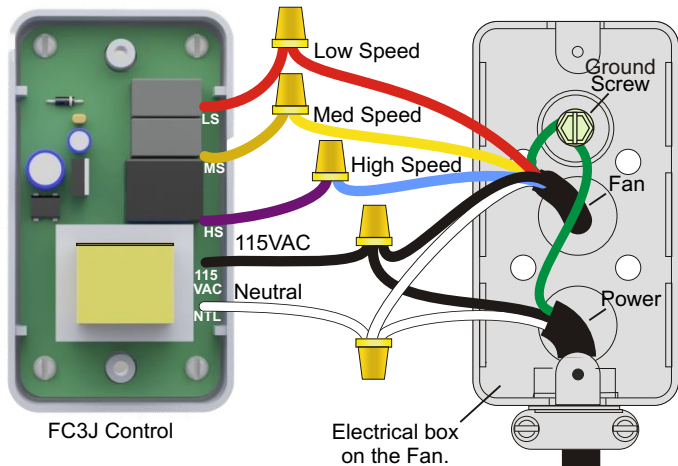
### WD-04, 2-Speed ECM Fan



\*Black wire from fan motor may be solid black or black with white stripe.

115VAC Power

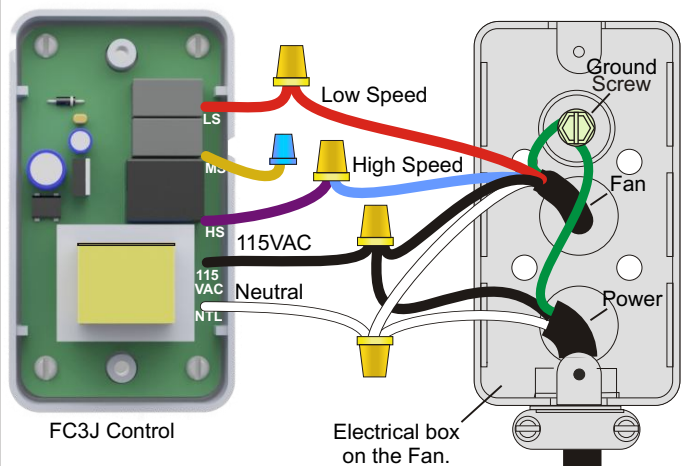
### WD-05, 3-Speed ECM Fan



\*Black wire from fan motor may be solid black or black with white stripe.

115VAC Power

### WD-06, 2-Speed ECM Fan



\*Black wire from fan motor may be solid black or black with white stripe.

115VAC Power

## TROUBLESHOOTING

#### The WTT LCD is not lit.

Ensure that the cable is completely plugged into the "RED" connector on the WTT and the FC3J. You should hear the connectors click. Ensure that the fan is powered. Ensure the wiring from the FC3J fan control to the whole house fan is correct.

#### Fan speeds available is not correct.

Ensure that the number of speeds set in Step 9 correspond to the type of fan installed - 1-speed, 2-speed or 3-speed fan.

#### The display indicates On but the fan is not running.

If On is not blinking and the WTT is in Temperature Control, make sure the Set To temperature is a few degrees lower than the Indoor temperature. On will blink when the fan is running.

If an outdoor temperature sensor is installed and the outdoor temperature is above the limit set, whole house fan operation may be delayed. When delayed, "LIMIT" blinks.

If On is blinking but the fan is not running, check the wiring from the FC3J fan control to the whole house fan.

## Warranty

This product is warranted to be free of defects due to workmanship or materials under normal use and service for a period of 5 years from date of installation and not longer than 6 years from manufacturing date code.

# eControls

26072 Merit Circle #110 / Laguna Hills, CA 92653  
949-916-0945 Fax 949-458-8502  
www.eControlsUSA.com